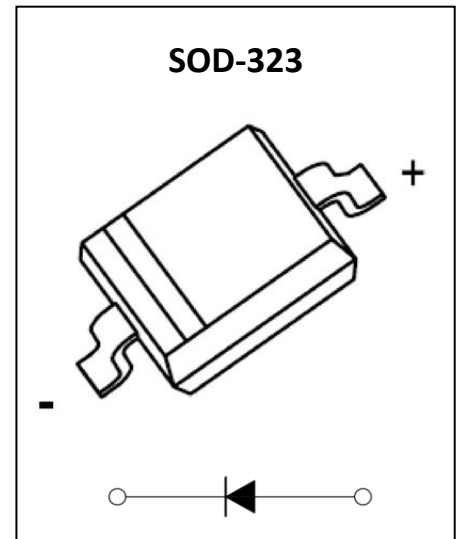


1N4448WS Fast Switching Diodes
Feature

- V_R 75V
- I_{FAV} 250mA

Application

- Extreme fast switches

MARKING:

ABSOLUTE MAXIMUM RATINGS ($T_a=25^\circ\text{C}$ unless otherwise noted)

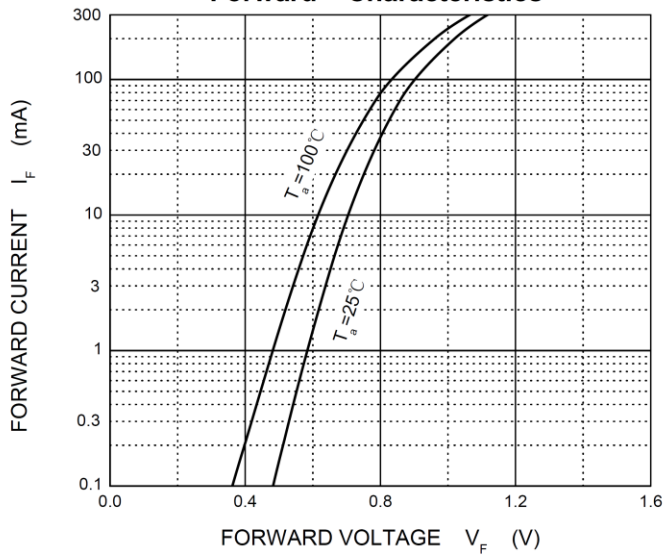
Parameter	Symbol	Value	Unit
Non-Repetitive Peak Reverse Voltage	V_{RSM}	100	V
Repetitive Peak Reverse Voltage	V_{RRM}	75	V
Average rectified output current	I_O	0.25	A
Forward continuous current	I_{FM}	0.50	A
Non-repetitive Peak Forward Surge Current @ $t=1\ \mu\text{s}$	I_{FSM}	4	A
Power Dissipation	P_D	0.5	W
Junction Temperature	T_J	150	$^\circ\text{C}$
Storage Temperature	T_{STG}	-65 ~ +150	$^\circ\text{C}$

ELECTRICAL CHARACTERISTICS ($T_a=25^\circ\text{C}$ unless otherwise noted)

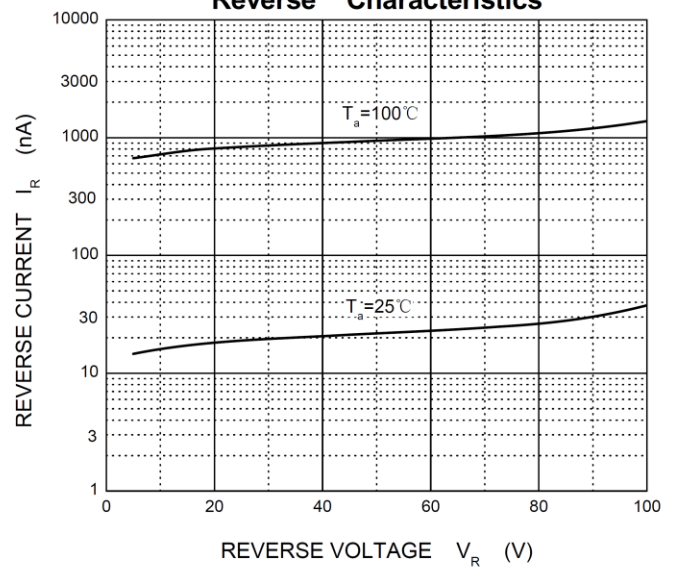
Parameter	Symbol	Test Condition	Min	Max	Unit
Forward voltage	V_F	$I_F = 1\text{mA}$		0.715	V
		$I_F = 10\text{mA}$		0.855	V
		$I_F = 50\text{mA}$		1.0	V
		$I_F = 150\text{mA}$		1.25	V
Reverse current	I_R	$V_R = 20\text{V}$		25	nA
		$V_R = 75\text{V}$		2.5	μA
Diode capacitance	C_D	$V_R=0\text{V}, f=1\text{MHz}$		4	pF
Reverse Recovery Time	t_{rr}	$I_F=I_R=10\text{mA}, I_{rr}=0.1 \cdot I_R, R_L=100\Omega$		4	ns

Typical Electrical and Thermal Characteristics

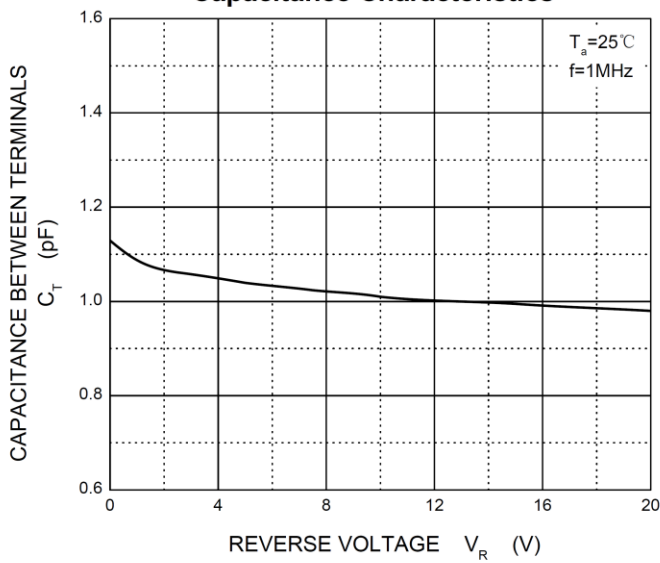
Forward Characteristics



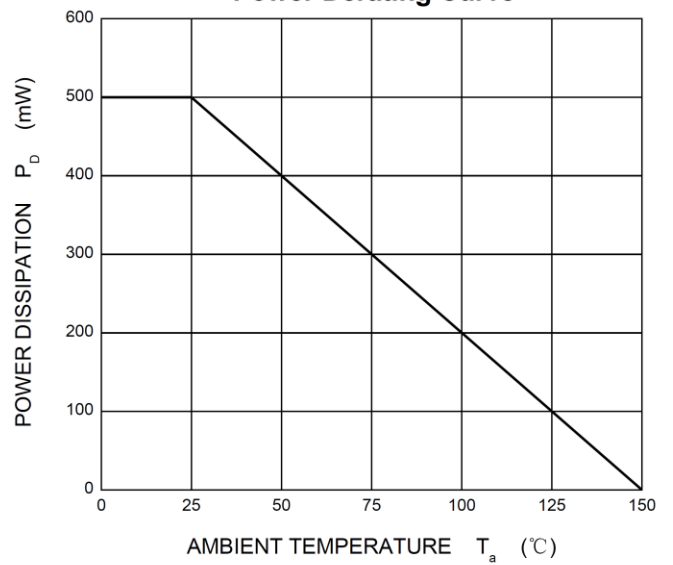
Reverse Characteristics

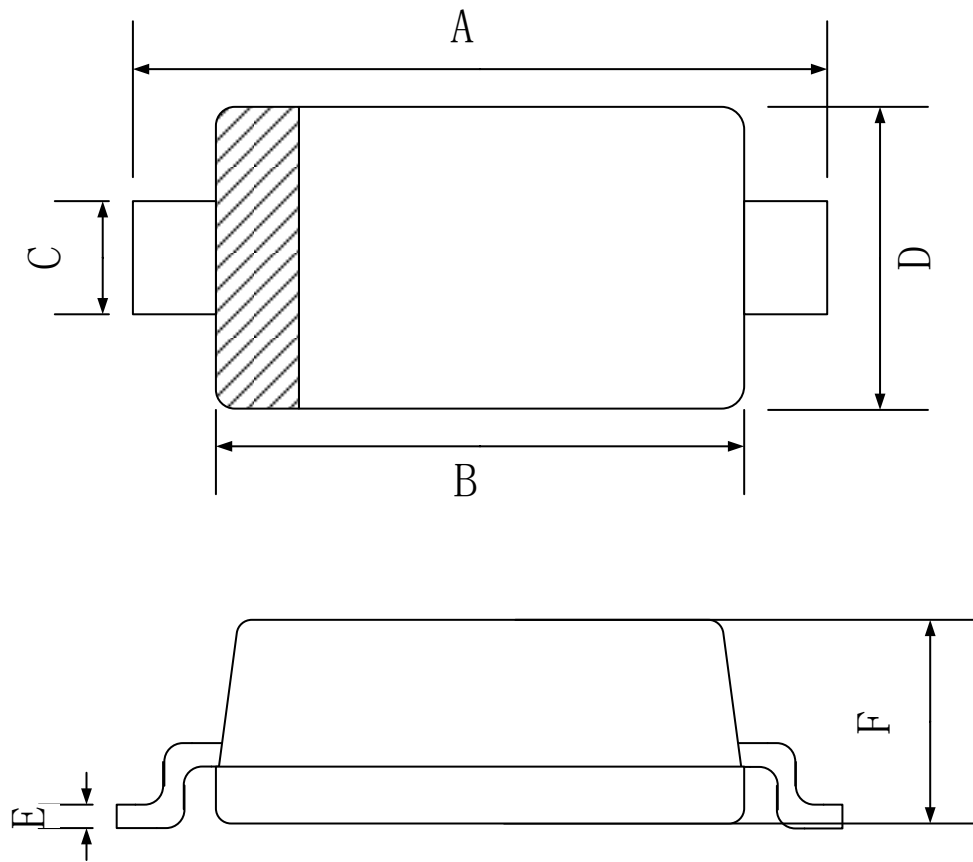


Capacitance Characteristics



Power Derating Curve

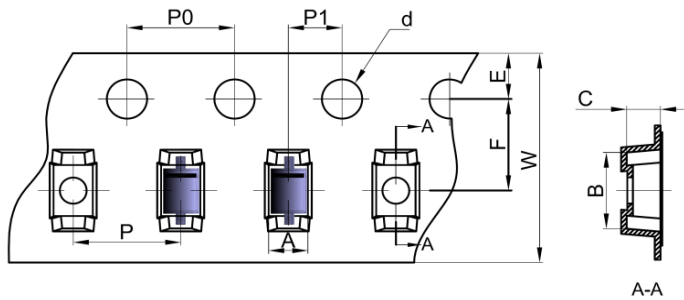


SOD-323 Package Outline Dimensions


Symbol	Dimensions In Millimeters		
	Min.	Typ.	Max.
A	2.30	2.50	2.70
B	1.60	1.70	1.90
C	0.25	0.325	0.40
D	1.15	1.25	1.35
E	0.089	0.095	0.101
F	0.80	0.90	1.00

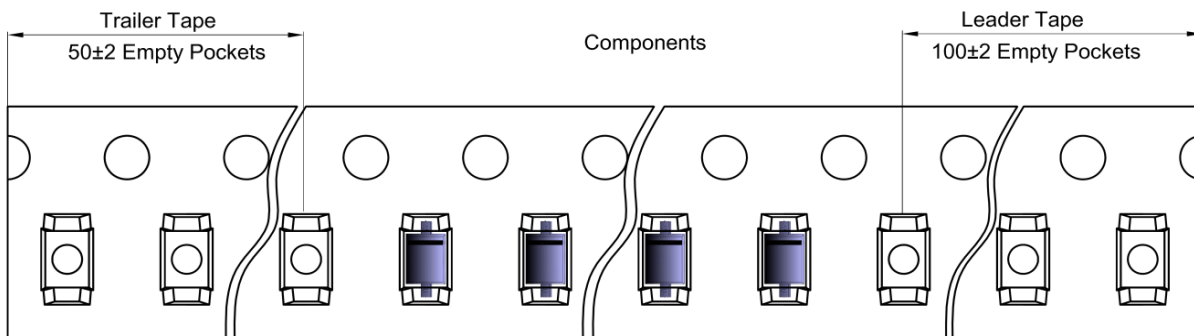
SOD-323 Package Outline Dimensions

SOD-323 Embossed Carrier Tape

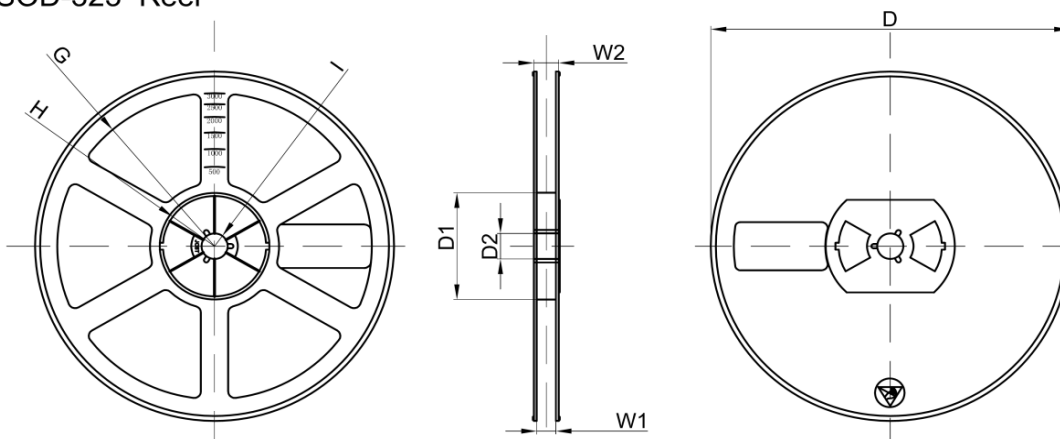


Dimensions are in millimeter										
Pkg type	A	B	C	d	E	F	P0	P	P1	W
SOD-323	1.48	3.3	1.25	Ø1.50	1.75	3.50	4.00	4.00	2.00	8.00

SOD-323 Tape Leader and Trailer



SOD-323 Reel



Dimensions are in millimeter								
Reel Option	D	D1	D2	G	H	I	W1	W2
7" Dia	Ø178.00	54.40	13.00	R78.00	R25.60	R6.50	9.50	12.30

REEL	Reel Size	Box	Box Size(mm)	Carton	Carton Size(mm)	G.W.(kg)
3000 pcs	7 inch	45,000 pcs	203×203×195	180,000 pcs	438×438×220	