



Product Summary

The GPL6206 series are a group of positive voltage regulators manufactured by CMOS technologies with high ripple rejection, ultra-low noise, low power consumption and low dropout voltage, which can prolong battery life in portable electronics. The GPL6206 series work with low-ESR ceramic capacitors, reducing the amount of board space necessary for power applications. The GPL6206 series consume less than 0.1µA in shutdown mode and have fast turn-on time less than 50µS. The series are very suitable for the battery-powered equipments, such as RF applications and other systems requiring a quiet voltage source.

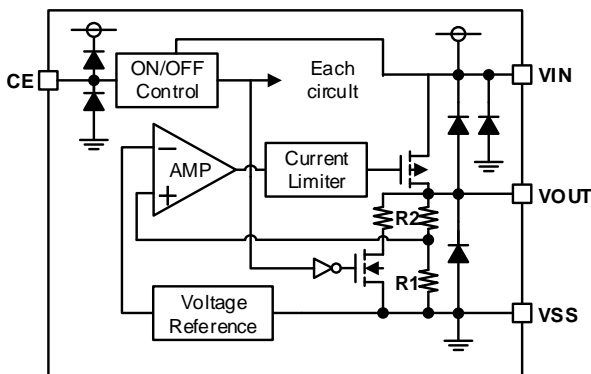
Features

- Low Quiescent Current: 5µA
- Operating Voltage Range: 2.0V~7.0V
- Low Dropout Voltage: 150mV@150mA
- Output Voltage: 1.2~ 5.0V
- High Accuracy: ±2% (Typ.)
- High Ripple Rejection: 65dB@1kHz
- TTL-Logic-Controlled Shutdown Input
- Excellent Line and Load Transient Response
- Built-in Current Limiter, Short-Circuit Protection

Applications

- Cellular and Smart Phones
- Radio control systems
- Laptop, Palmtops and PDAs
- Digital Still and Video Cameras
- MP3,MP4 Player
- Battery-Powered Equipment

Block Diagram

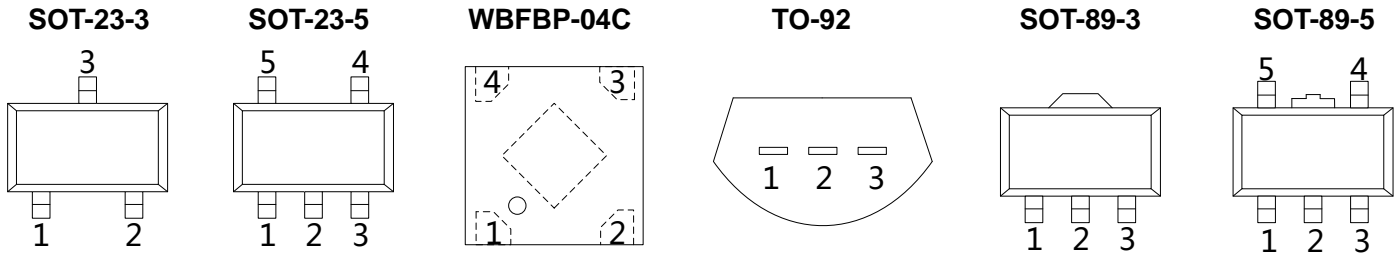


Order Information

GPL6206V①②

Designator	Description
①	Output Voltage e.g. 1.8V=18
②	Package: SOT-23-3L=K3 SOT-23-5L=K5 WBFBP-04C(DFN1*1-4)=H4 SOT-89-3L=KE SOT-89-5L=KT TO-92=Z

Pin Configuration



SOT-23-3L & TO-92

Pin Number		Pin Name	Function
SOT-23-3	TO-92		
1	1	V_{SS}	Ground
2	3	V_{OUT}	Output
3	2	V_{IN}	Power input

SOT-23-5L

Pin Number	Pin Number	Function
1	V_{IN}	Power Input Pin
2	V_{SS}	Ground
3	CE	Chip Enable Pin
4	NC	No Connection
5	V_{OUT}	Output Pin

WBFBP-04C

Pin Number	Pin Number	Function
1	V_{OUT}	Output Pin
2	V_{SS}	Ground
3	CE	Chip Enable Pin
4	V_{IN}	Power Input Pin

SOT-89-3L

Pin Number	Pin Number	Function
1	V_{SS}	Ground
3	V_{OUT}	Output
2	V_{IN}	Power input

SOT-89-5L

Pin Number	Symbol	Function
1	V_{OUT}	Output Pin
2	V_{SS}	Ground
3	NC	No Connection
4	CE	Chip Enable Pin
5	V_{IN}	Power Input Pin

Absolute Maximum Ratings ($T_a=25^{\circ}\text{C}$, unless otherwise noted)

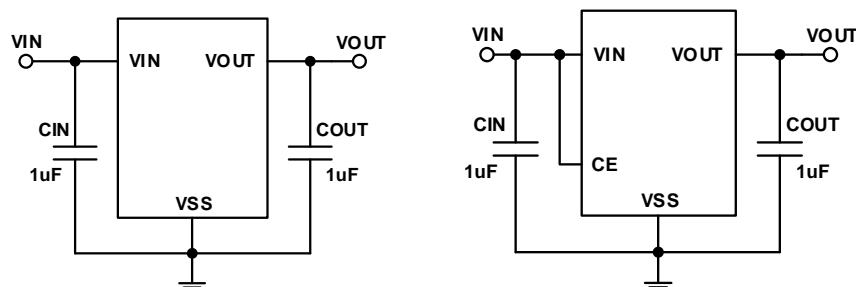
Parameter	Symbol	Ratings	Units	
Input Voltage	V_{IN}	$V_{SS}-0.3 \sim V_{SS}+8$	V	
Output Voltage	V_{OUT}	$V_{SS}-0.3 \sim V_{IN}+0.3$	V	
Output Current	I_{OUT}	600	mA	
Power Dissipation	SOT-23	P_D	0.25	W
	SOT-89/TO-92	P_D	0.50	W
Operating Free Air Temperature Range	T_A	-40~85	$^{\circ}\text{C}$	
Operating Junction Temperature Range	T_j	-40~125	$^{\circ}\text{C}$	
Storage Temperature	T_{stg}	-40~125	$^{\circ}\text{C}$	
Lead Temperature(Soldering, 10 sec)	T_{solder}	260	$^{\circ}\text{C}$	

Electrical Characteristics($V_{IN}=V_{OUT}+1\text{V}$, $C_{IN}=C_{OUT}=1\mu\text{F}$, $T_A=25^{\circ}\text{C}$, unless otherwise specified)

Parameter	Symbol	Conditions	Min.	Typ.	Max.	Units
Output Voltage	$V_{OUT(E)}^{1)}$	$I_{OUT}=1\text{mA}$	$V_{OUT} * 0.98$	V_{OUT}	$V_{OUT} * 1.02$	V
Supply Current	I_{SS}	$I_{OUT}=0$		5	10	μA
Standby Current	I_{STBY}	$CE = V_{SS}$			0.1	μA
Output Current	I_{OUT}	—	300			mA
Dropout Voltage ²⁾	V_{dif}	$I_{OUT} = 150\text{mA}$ $V_{OUT} \geq 3.0\text{V}$		150		mV
Load Regulation	ΔV_{OUT}	$V_{IN} = V_{OUT} + 1\text{V}$, $1\text{mA} \leq I_{OUT} \leq 100\text{mA}$		10		mV
Line Regulation	$\frac{\Delta V_{OUT}}{V_{OUT} \times \Delta V_{IN}}$	$I_{OUT} = 10\text{mA}$ $V_{OUT} + 1\text{V} \leq V_{IN} \leq 6\text{V}$		0.01	0.2	%/V
Output Voltage Temperature Characteristics	$\frac{\Delta V_{OUT}}{\Delta T \times V_{OUT}}$	$I_{OUT} = 10\text{mA}$ $-40 \leq T \leq +85$		100		ppm
Short Current	I_{Short}	$V_{OUT} = V_{SS}$		50		mA
Input Voltage	V_{IN}	—	2.0		7.0	V
Power Supply Rejection Rate	1kHz	$I_{OUT}=50\text{mA}$		65		dB
	10kHz			50		
CE "High" Voltage	$V_{CE} \text{ "H"}$		1.5		V_{IN}	V
CE "Low" Voltage	$V_{CE} \text{ "L"}$				0.3	V

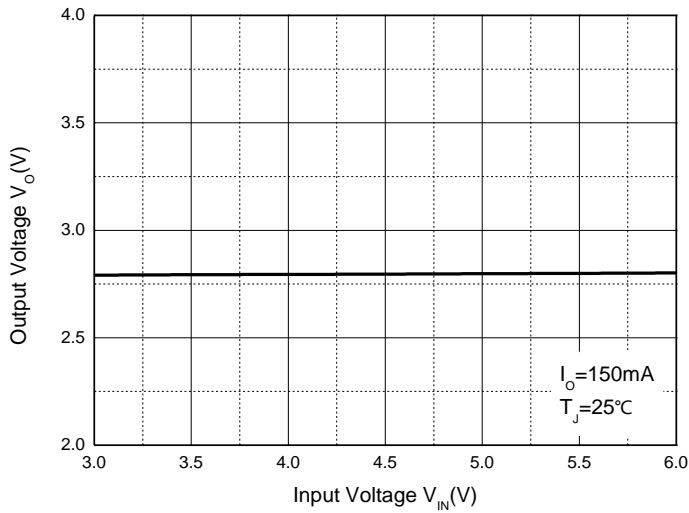
- 1) $V_{OUT(E)}$: Effective Output Voltage (i.e. The output voltage when $V_{IN} = (V_{OUT} + 1.0\text{V})$ and maintain a certain I_{OUT} Value).
- 2) V_{dif} : The Difference Of Output Voltage And Input Voltage When Input Voltage Is Decreased Gradually Till Output Voltage Equals To 98% Of V_{OUT} (E).

Typical Application

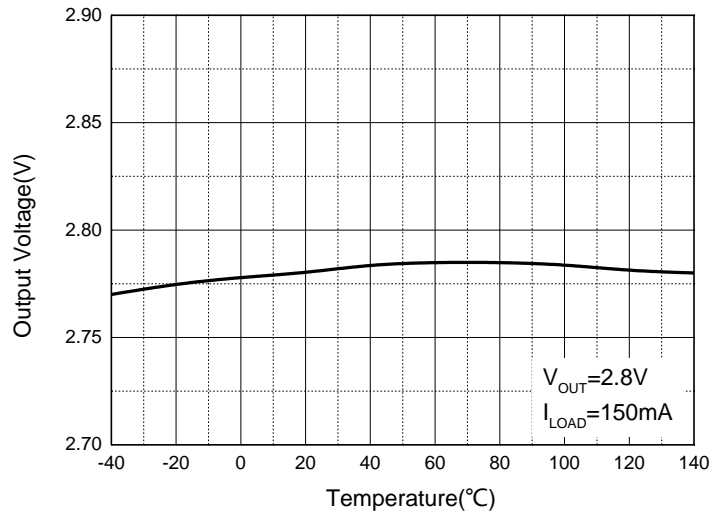


Typical Performance Characteristics

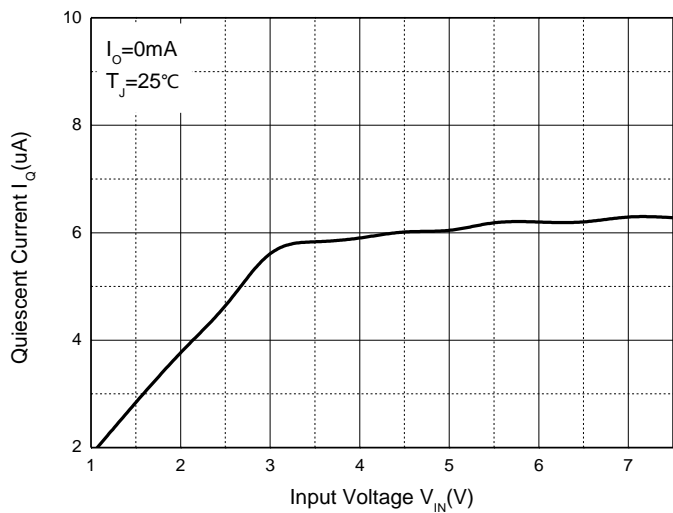
Output Characteristics



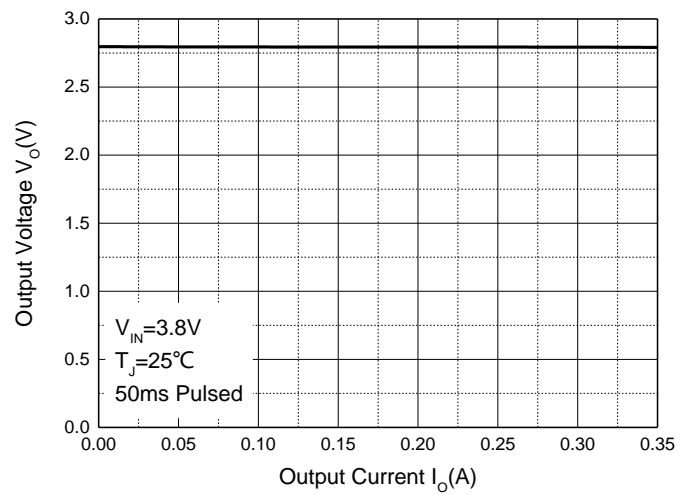
Output Voltage vs. Temperature



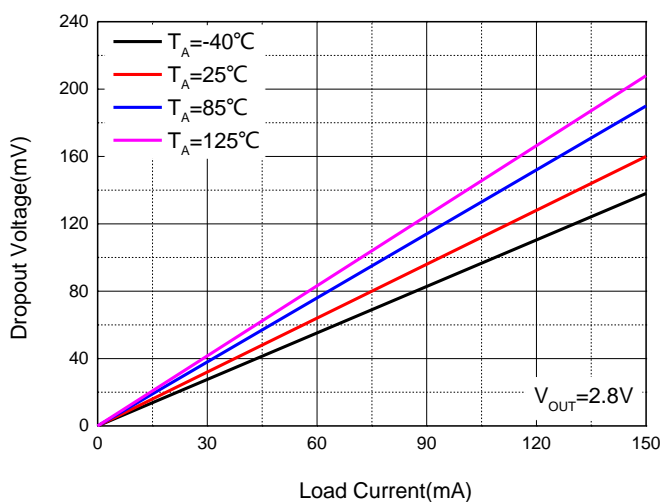
Quiescent Current



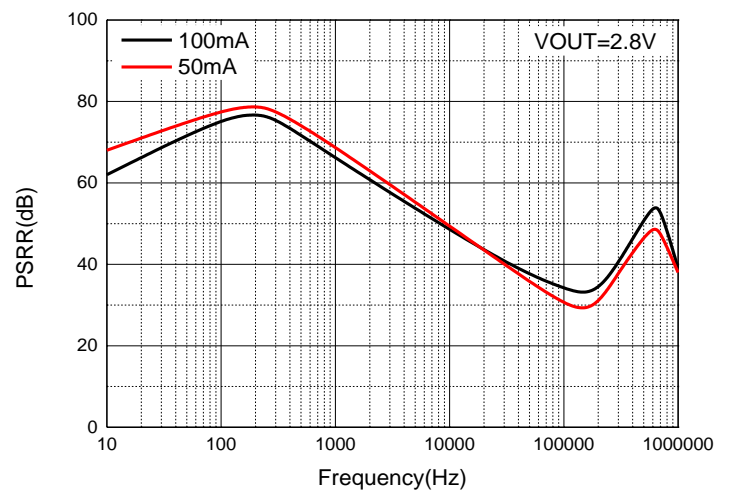
Current Cut-off Grid Voltage



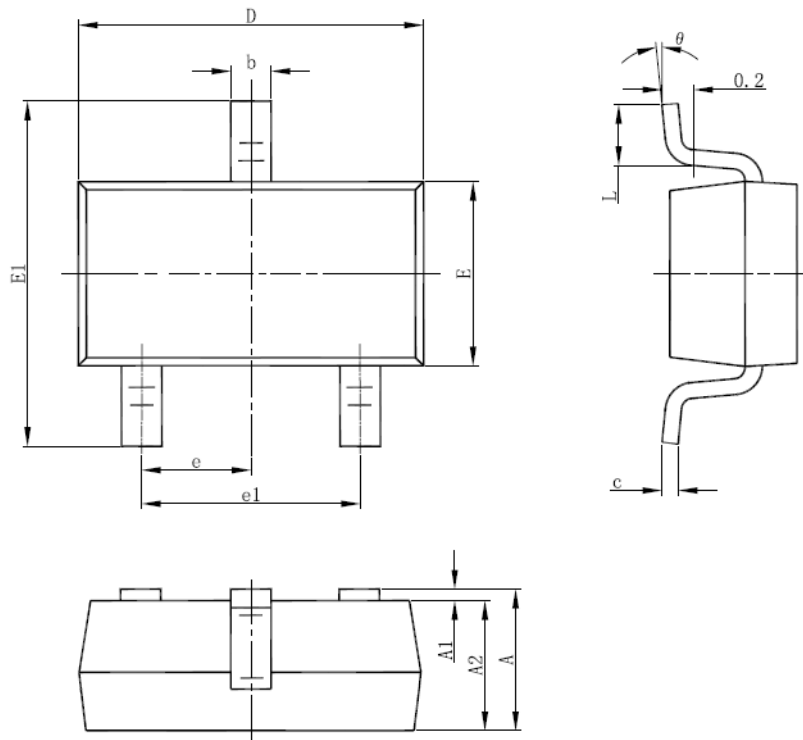
Dropout Voltage vs. Load Current



PSRR vs. Frequency

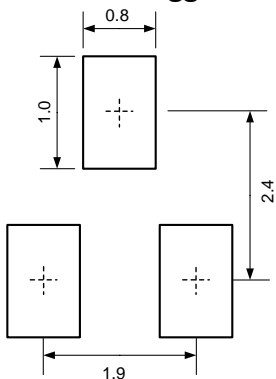


SOT-23-3L Package Outline Dimensions



Symbol	Dimensions in millimeters	
	Min.	Max.
A	1.050	1.250
A1	0.000	0.100
A2	1.050	1.150
b	0.300	0.500
c	0.100	0.200
D	2.820	3.020
E	1.500	1.700
E1	2.650	2.950
e	0.950TYP	
e1	1.800	2.000
L	0.300	0.600
θ	0°	8°

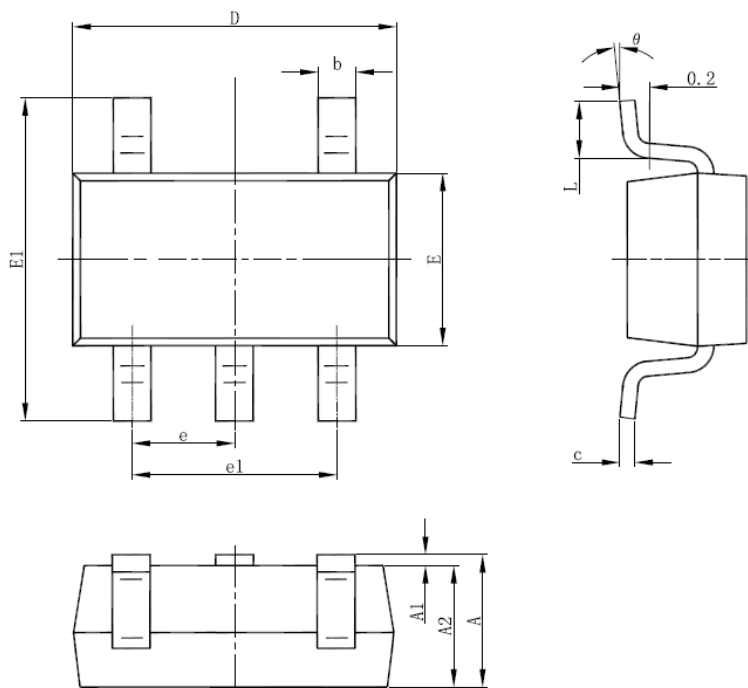
SOT-23-3L Suggested Pad Layout (Unit: mm)



Notes:

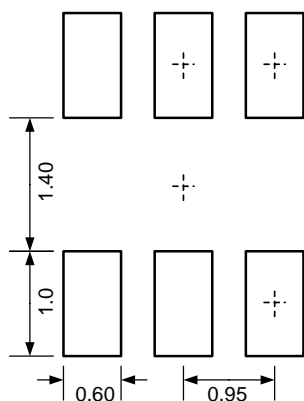
1. General tolerance: ± 0.05 mm.
2. The pad layout is for reference purposes only.

SOT-23-5L Package Outline Dimensions



Symbol	Dimensions In Millimeters	
	Min.	Max.
A	1.050	1.250
A1	0.000	0.100
A2	1.050	1.150
b	0.300	0.500
c	0.100	0.200
D	2.820	3.020
E	1.500	1.700
E1	2.650	2.950
e	0.950(BSC)	
e1	1.800	2.000
L	0.300	0.600
θ	0°	8°

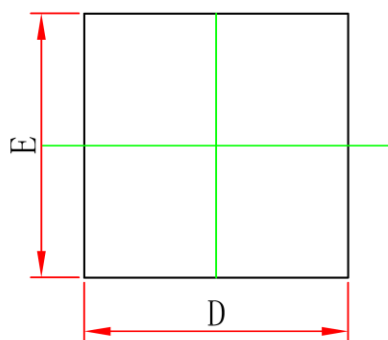
SOT-23-5L Suggested Pad Layout (Unit: mm)



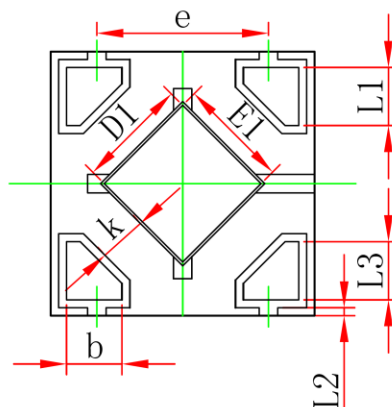
Notes:

1. General tolerance: ± 0.05 mm.
2. The pad layout is for reference purposes only.

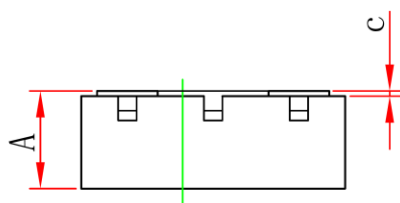
WBFBP-04C Package Outline Dimensions



TOP VIEW
[顶视图]



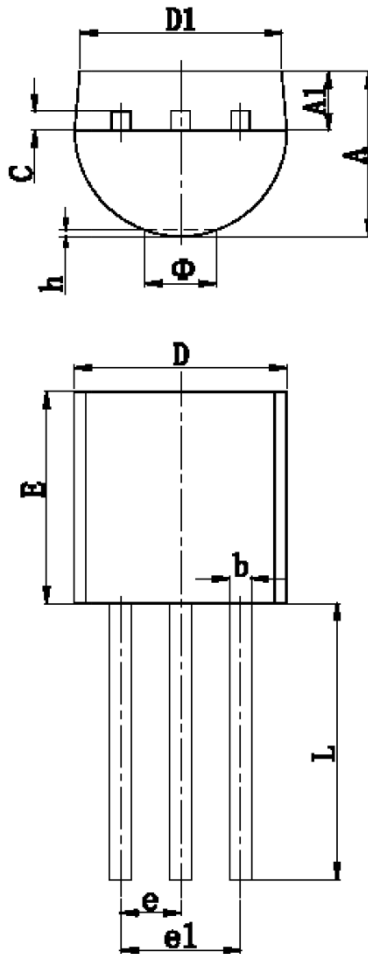
BOTTOM VIEW
[背视图]



SIDE VIEW
[侧视图]

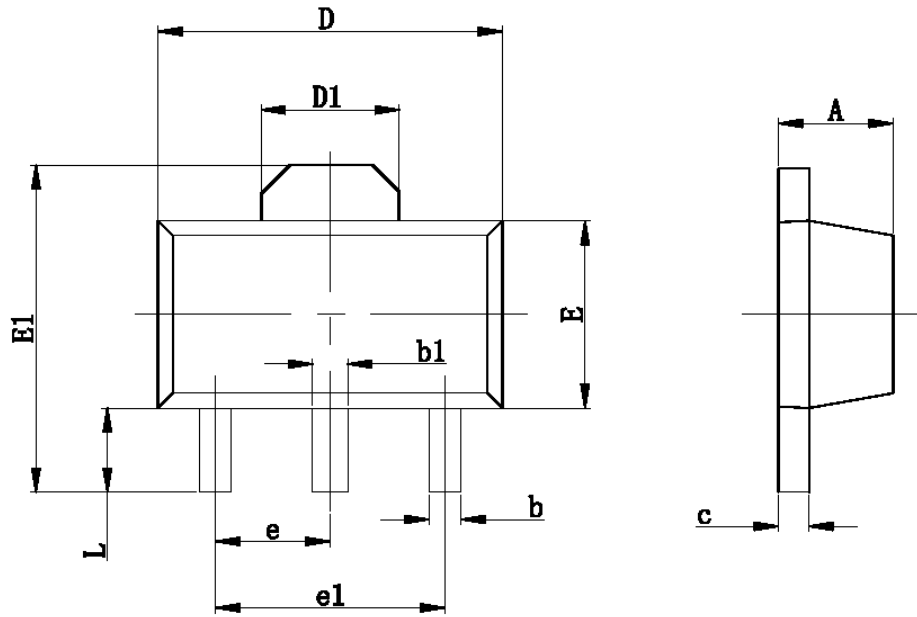
Symbol	Dimensions in millimeters		Dimensions in inches	
	Min.	Max.	Min.	Max.
A	0.335	0.495	0.013	0.016
D	0.950	1.050	0.037	0.041
E	0.950	1.050	0.037	0.041
D1	0.037	0.047	0.015	0.019
E1	0.037	0.047	0.015	0.019
k	0.17MIN		0.007MIN	
b	0.160	0.260	0.006	0.010
c	0.010	0.090	0.000	0.004
e	0.600	0.700	0.024	0.028
L1	0.185	0.255	0.007	0.010
L2	0.030REF		0.001REF	
L3	0.185	0.255	0.007	0.010

TO-92 Package Outline Dimensions



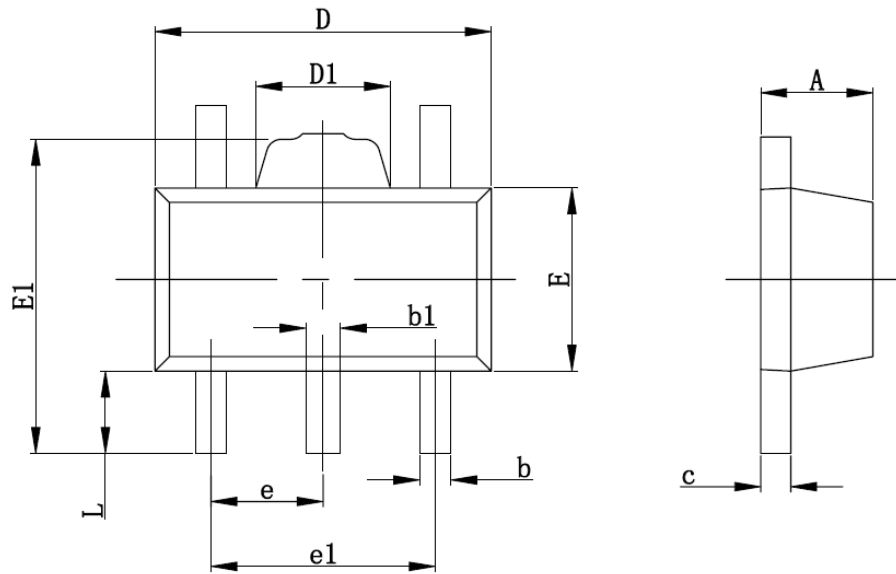
Symbol	Dimensions in millimeters		Dimensions in inches	
	Min.	Max.	Min.	Max.
A	3.300	3.700	0.130	0.146
A1	1.100	1.400	0.043	0.055
b	0.380	0.550	0.015	0.022
c	0.360	0.510	0.014	0.020
D	4.400	4.700	0.173	0.185
D1	3.430		0.135	
E	4.300	4.700	0.169	0.185
e	1.270TYP		0.050TYP	
e1	2.440	2.640	0.096	0.104
L	14.100	14.500	0.555	0.571
ϕ		1.600		0.063
h	0.000	0.380	0.000	0.015

SOT-89-3L Package Outline Dimensions



Symbol	Dimensions in millimeters		Dimensions in inches	
	Min.	Max.	Min.	Max.
A	1.400	1.600	0.055	0.063
b	0.320	0.520	0.013	0.197
b1	0.400	0.580	0.016	0.023
c	0.350	0.440	0.014	0.017
D	4.400	4.600	0.173	0.181
D1	1.550REF		0.061REF	
E	2.300	2.600	0.091	0.102
E1	3.940	4.250	0.155	0.167
e	1.500TYP		0.060TYP	
e1	3.000TYP		0.118TYP	
L	0.900	1.200	0.035	0.047

SOT-89-5L Package Outline Dimensions



Symbol	Dimensions in millimeters		Dimensions in inches	
	Min.	Max.	Min.	Max.
A	1.400	1.600	0.055	0.063
b	0.320	0.520	0.013	0.197
b1	0.360	0.560	0.014	0.022
c	0.350	0.440	0.014	0.017
D	4.400	4.600	0.173	0.181
D1	1.400	1.800	0.055	0.071
E	2.300	2.600	0.091	0.102
E1	3.940	4.250	0.155	0.167
e	1.500TYP		0.060TYP	
e1	2.900	3.100	0.114	0.122
L	0.900	1.100	0.035	0.043