

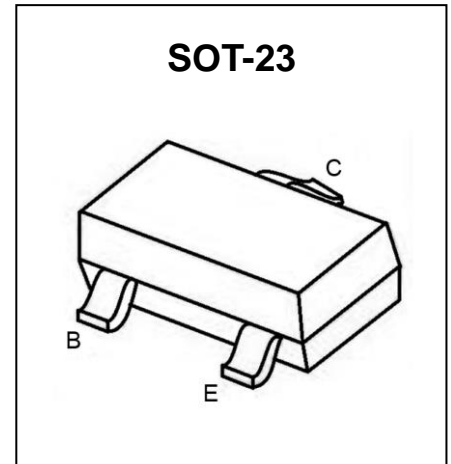


S9018 Transistor(NPN)

Feature

- NPN epitaxial silicon , planar design
- Collector-emitter voltage $V_{CE}=15V$
- Collector current $I_C=0.05A$
- High breakdown voltage

Marking: J8



MAXIMUM RATINGS ($T_a=25^{\circ}C$ unless otherwise noted)

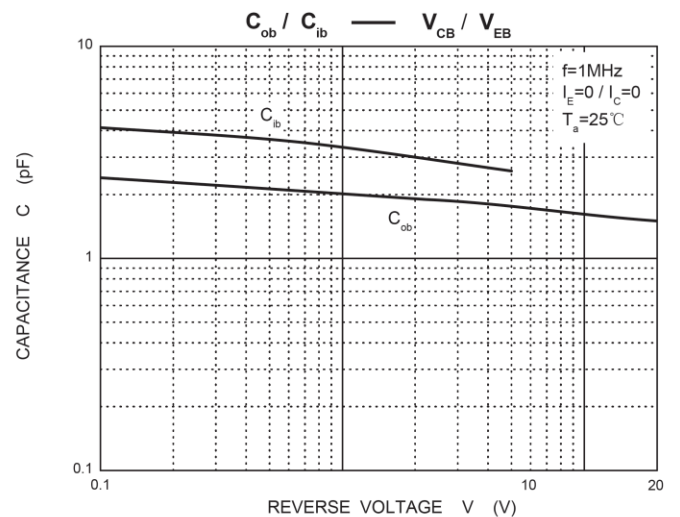
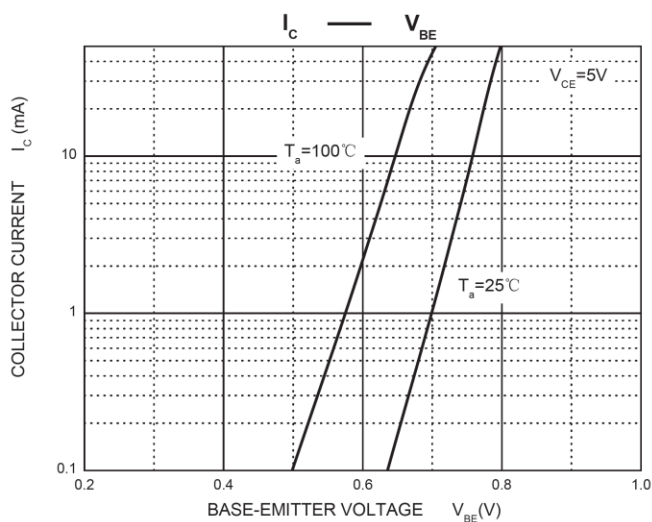
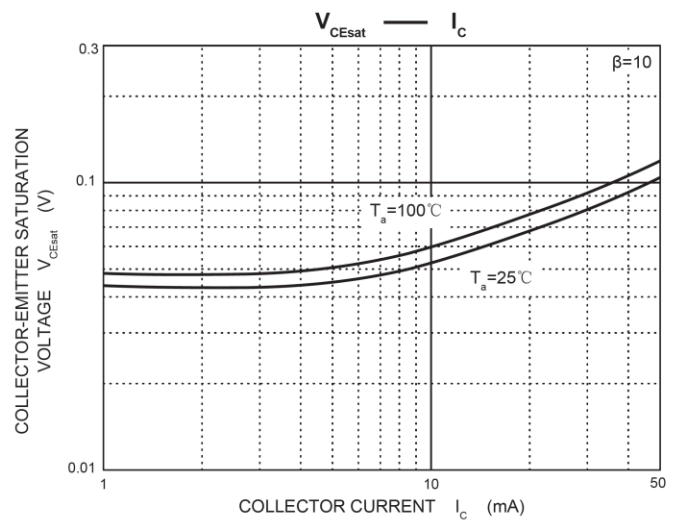
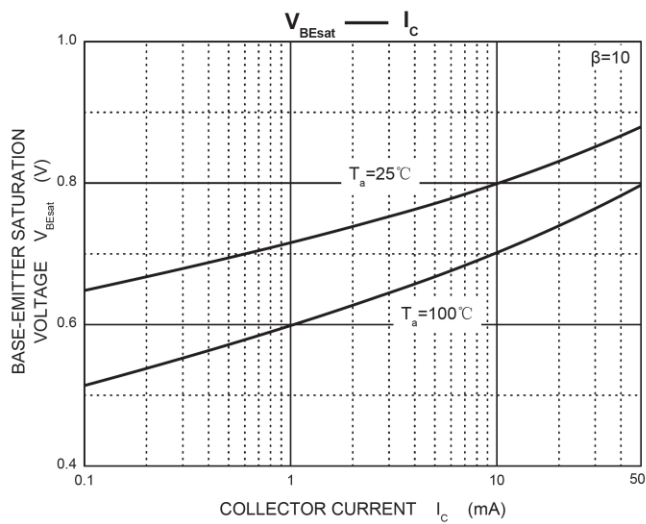
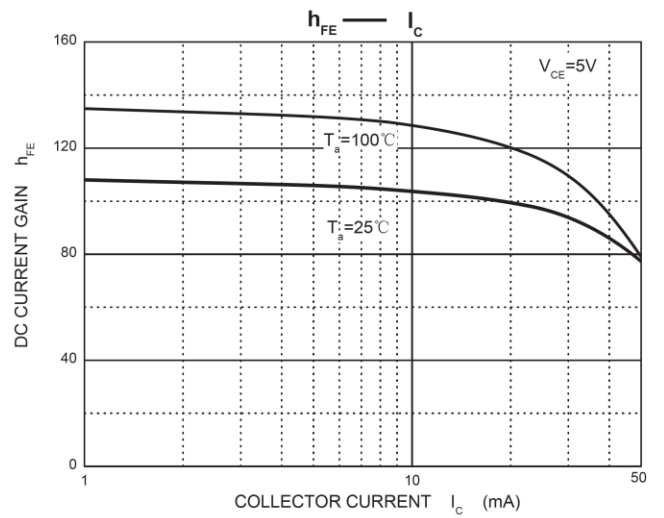
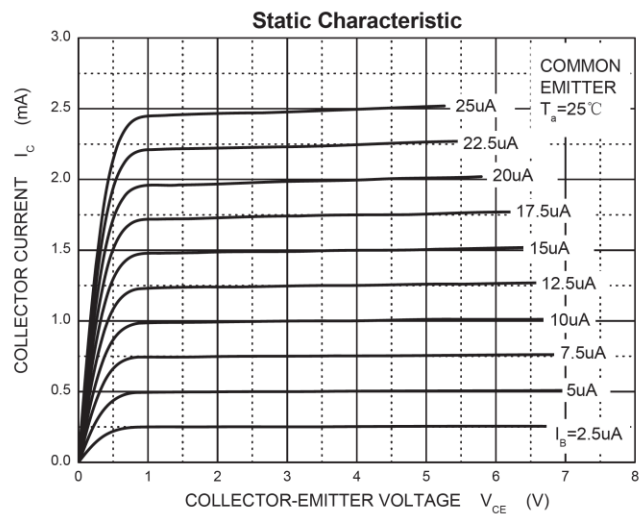
Parameter	Symbol	Value	Unit
Collector-Base Voltage	V_{CBO}	30	V
Collector-Emitter Voltage	V_{CEO}	15	V
Emitter-Base Voltage	V_{EBO}	5	V
Collector Current -Continuous	I_C	0.05	A
Power Dissipation	P_d	0.4	W
Junction Temperature	T_J	150	$^{\circ}C$
Storage Temperature	T_{STG}	-55~ +150	$^{\circ}C$

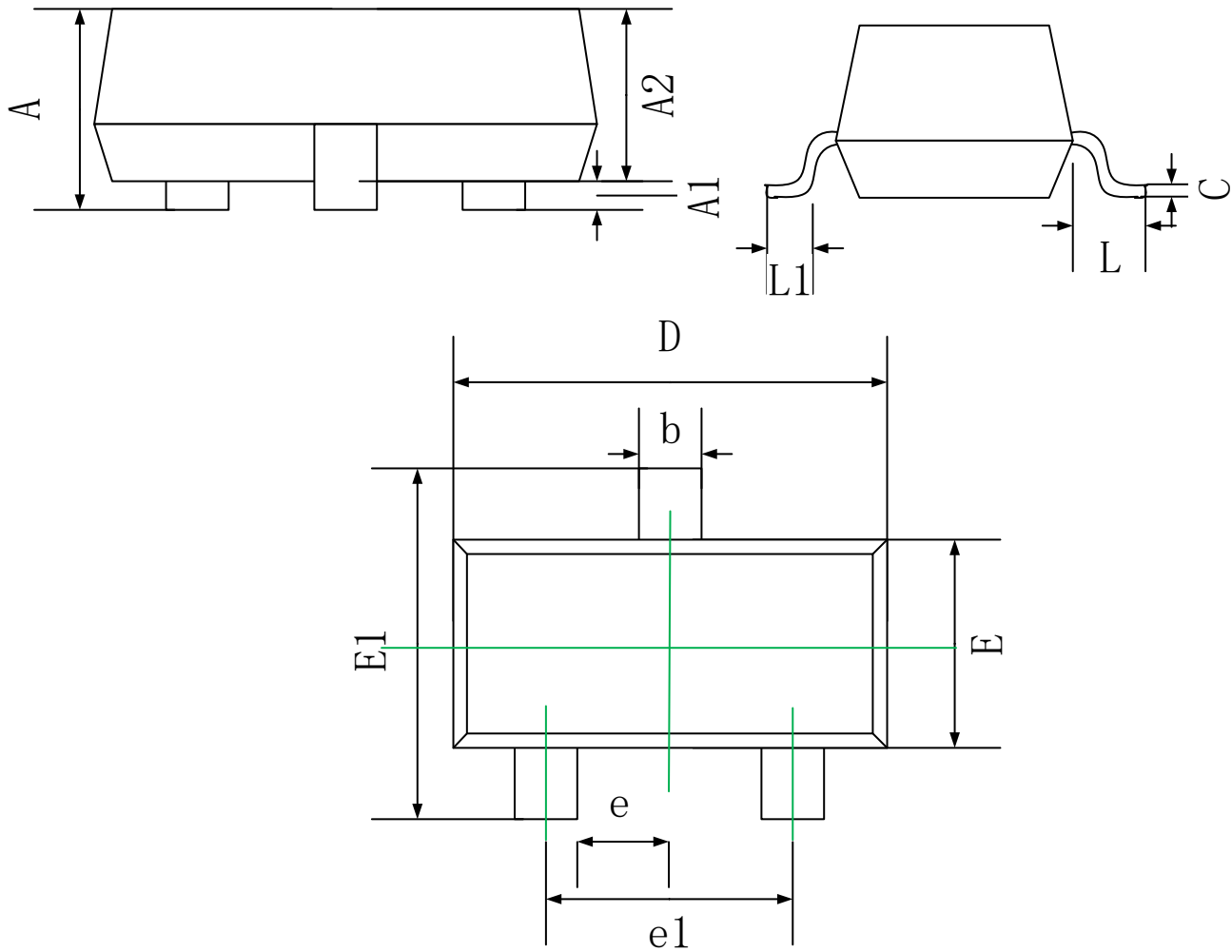
ELECTRICAL CHARACTERISTICS($T_a=25^{\circ}C$ unless otherwise noted)

Parameter	Symbol	Test Condition	Min	Max	Unit
Collector-base breakdown voltage	$V(BR)_{CBO}$	$I_C=100\mu A, I_E=0$	30		V
Collector-emitter breakdown voltage	$V(BR)_{CEO}$	$I_C=100\mu A, I_B=0$	15		V
Emitter-base breakdown voltage	$V(BR)_{EBO}$	$I_E=100\mu A, I_C=0$	5		V
Collector cut-off current	I_{CBO}	$V_{CB}=30V, I_E=0$		100	nA
Collector cut-off current	I_{CEO}	$V_{CE}=15V, I_B=0$		100	nA
Emitter cut-off current	I_{EBO}	$V_{EB}=5V, I_C=0$		100	nA
DC current gain	h_{FE}	$V_{CE}=5V, I_C=1mA$	100	200	
Collector-emitter saturation voltage	$V_{CE(sat)}$	$I_C=10mA, I_B=1mA$		0.5	V
Base-emitter saturation voltage	$V_{BE(sat)}$	$I_C=10mA, I_B=1mA$		1.4	V
Transition frequency	f_T	$V_{CE}=5V, I_C=5mA, f=400MHz$	600		MHZ

***Pulse Test: Pulse Width<300uS , Duty Cycle<2.0%**

Typical Characteristics



SOT-23 Package Information


Symbol	Dimensions In Millimeters	
	Min.	Max.
A	0.90	1.15
A1	0.00	0.10
A2	0.90	1.05
b	0.30	0.50
c	0.08	0.15
D	2.80	3.00
E	1.20	1.40
E1	2.25	2.55
e	0.95 REF.	
e1	1.80	2.00
L	0.55 REF.	
L1	0.30	0.50