

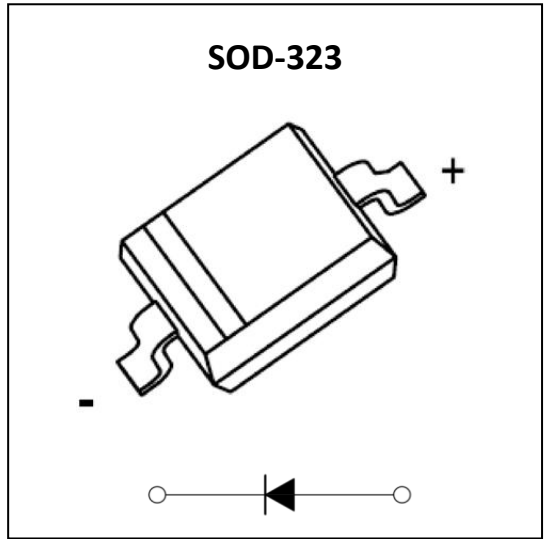
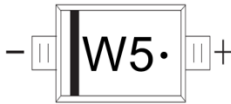


BAT60B Schottky Barrier Diode

Feature

- Low Forward Voltage Drop
- High Forward current
- Low Voltage, Low Inductance
- For Power Supply
- For Detection and Step-up-Conversion

MARKING:



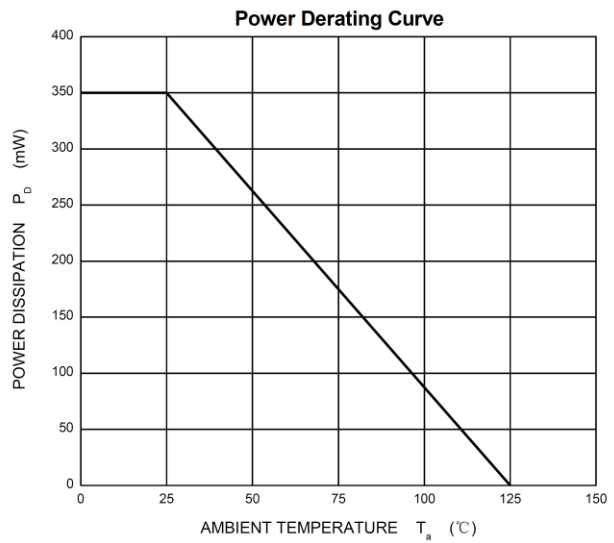
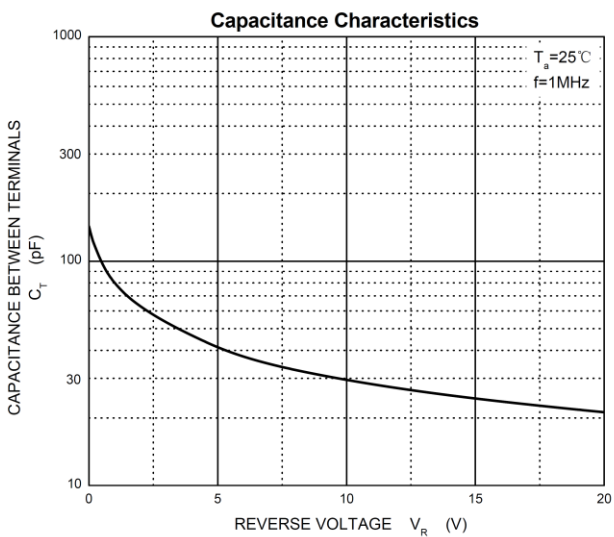
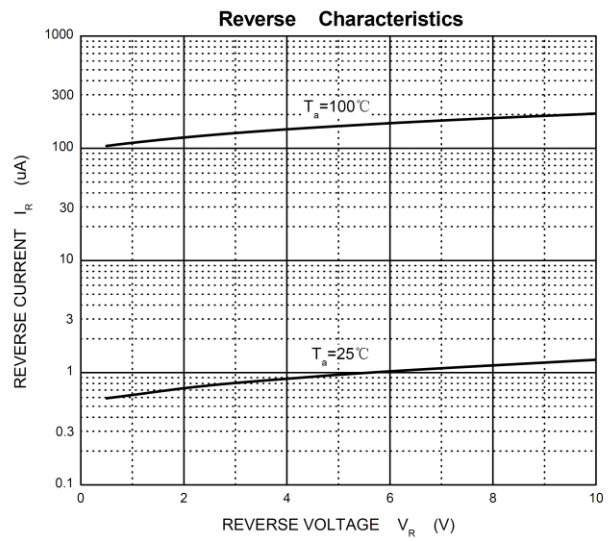
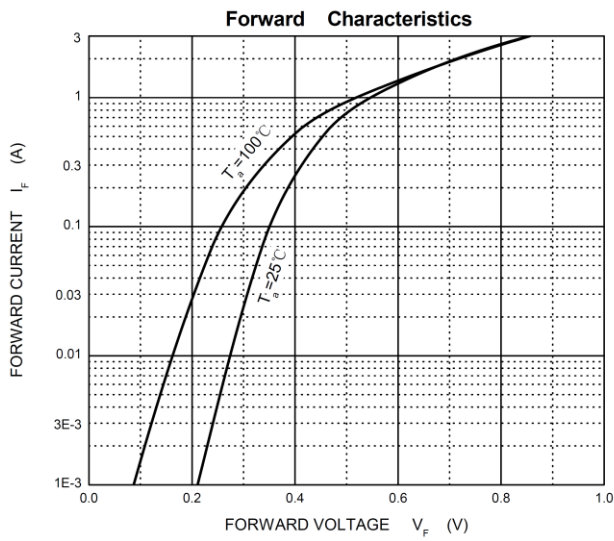
ABSOLUTE MAXIMUM RATINGS (T_a=25°C unless otherwise noted)

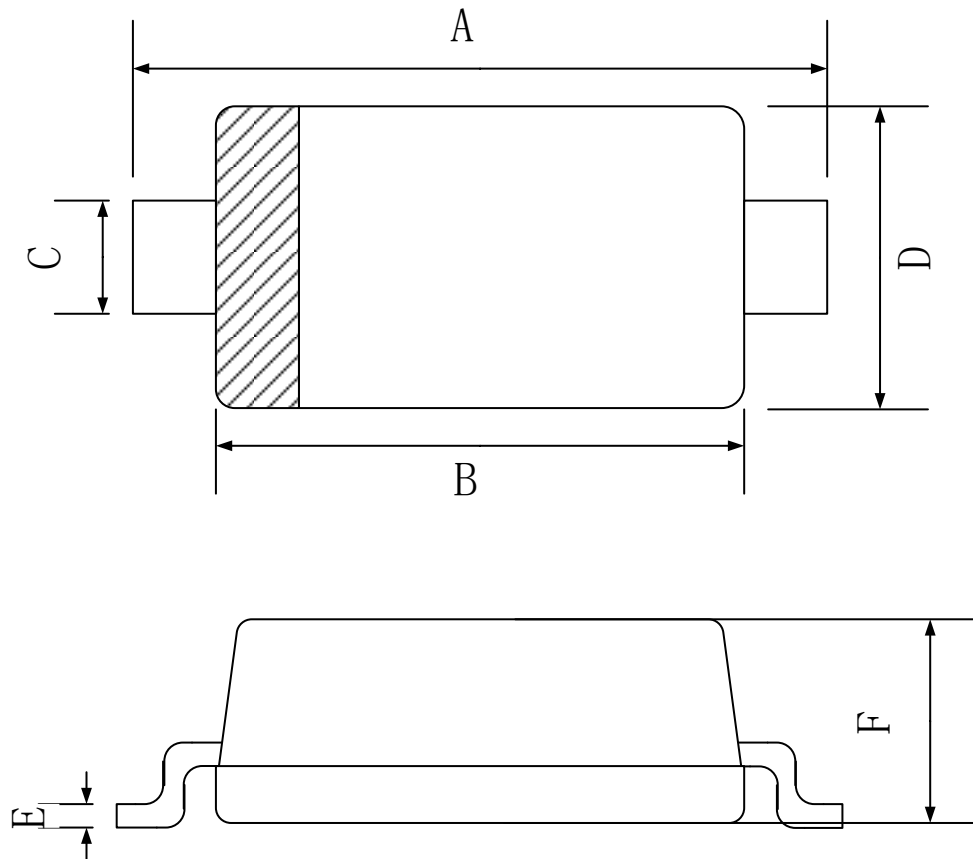
Parameter	Symbol	Value	Unit
DC reverse voltage	V _R	10	V
Forward current	I _F	3	A
Non-repetitive Peak Forward Surge Current @ t=8.3ms	I _{FSM}	5	A
Power Dissipation	P _D	0.35	W
Thermal Resistance from Junction to Ambient	R _{θJA}	286	°C/W
Junction Temperature	T _J	125	°C
Storage Temperature	T _{STG}	-55 ~ +150	°C

ELECTRICAL CHARACTERISTICS (T_a=25°C unless otherwise noted)

Parameter	Symbol	Test Condition	Min	Type	Max	Unit
Reverse voltage	V _{BR}	I _R = 1mA	10			V
Reverse current	I _R	V _R = 5V			15	μA
		V _R = 8V			25	μA
Forward voltage	V _F	I _F = 0.1A			0.38	V
		I _F = 0.5A			0.5	V
		I _F = 1A			0.6	V
Total capacitance	C _{tot}	V _R =5V, f=1MHz		30		pF

Typical Characteristics



SOD-323 Package Outline Dimensions


Symbol	Dimensions In Millimeters		
	Min.	Typ.	Max.
A	2.30	2.50	2.70
B	1.60	1.70	1.90
C	0.25	0.325	0.40
D	1.15	1.25	1.35
E	0.089	0.095	0.101
F	0.80	0.90	1.00