

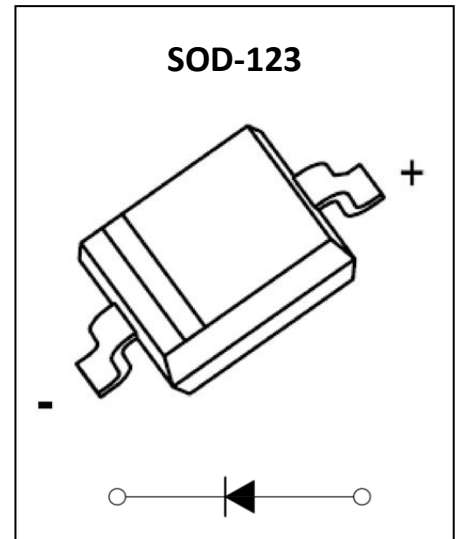
GP0540W Schottky Barrier Diode

Feature

- Small Power Mold Type
- Low VF
- Low IR
- High Reliability

Application

- High Frequency Inverters
- Free Wheeling
- Polarity Protection Applications



MARKING:



ABSOLUTE MAXIMUM RATINGS (T_a=25°C unless otherwise noted)

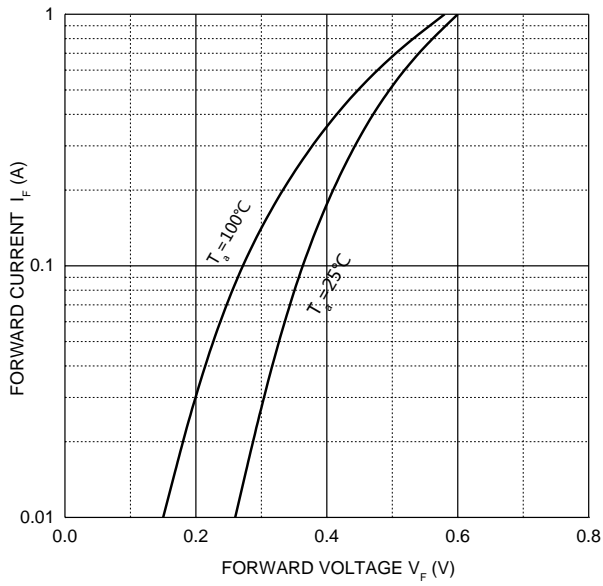
Parameter	Symbol	Value	Unit
DC reverse voltage	V _R	40	V
Mean rectifying current	I _O	0.5	A
Non-repetitive Peak Forward Surge Current @ t=8.3ms	I _{FSM}	6	A
Power Dissipation	P _D	0.35	W
Thermal Resistance from Junction to Ambient	R _{θJA}	285	°C/W
Junction Temperature	T _J	125	°C
Storage Temperature	T _{STG}	-55 ~ +150	°C

ELECTRICAL CHARACTERISTICS (T_a=25°C unless otherwise noted)

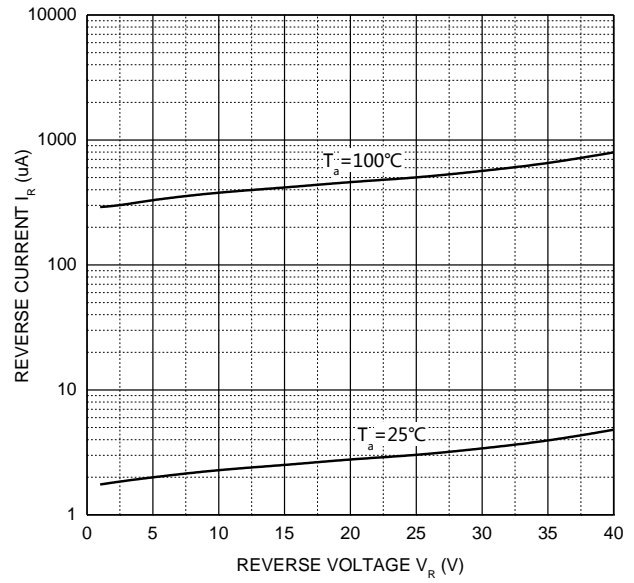
Parameter	Symbol	Test Condition	Min	Type	Max	Unit
Reverse voltage	V _{BR}	I _R =20μA	40			V
Forward voltage	V _F	I _F =0.5A	0	0.48	0.55	V
		I _F =1.0A	0	0.60	0.70	V
Reverse current	I _R	V _R =20V		2	10	μA
		V _R =40V		5	20	μA
Diode capacitance	C _D	VR=4V, f=1MHz		27	170	pF

Typical Characteristics

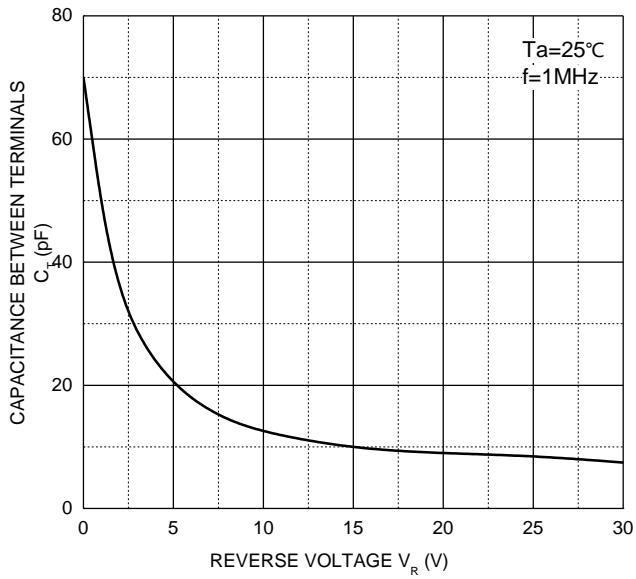
Forward Characteristics



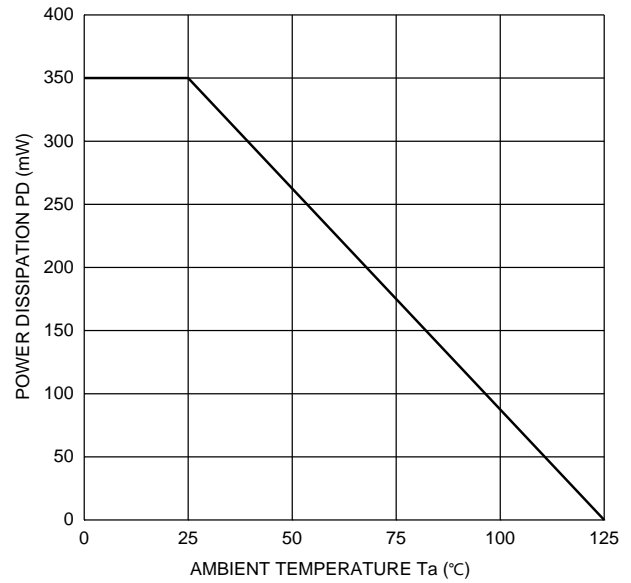
Reverse Characteristics

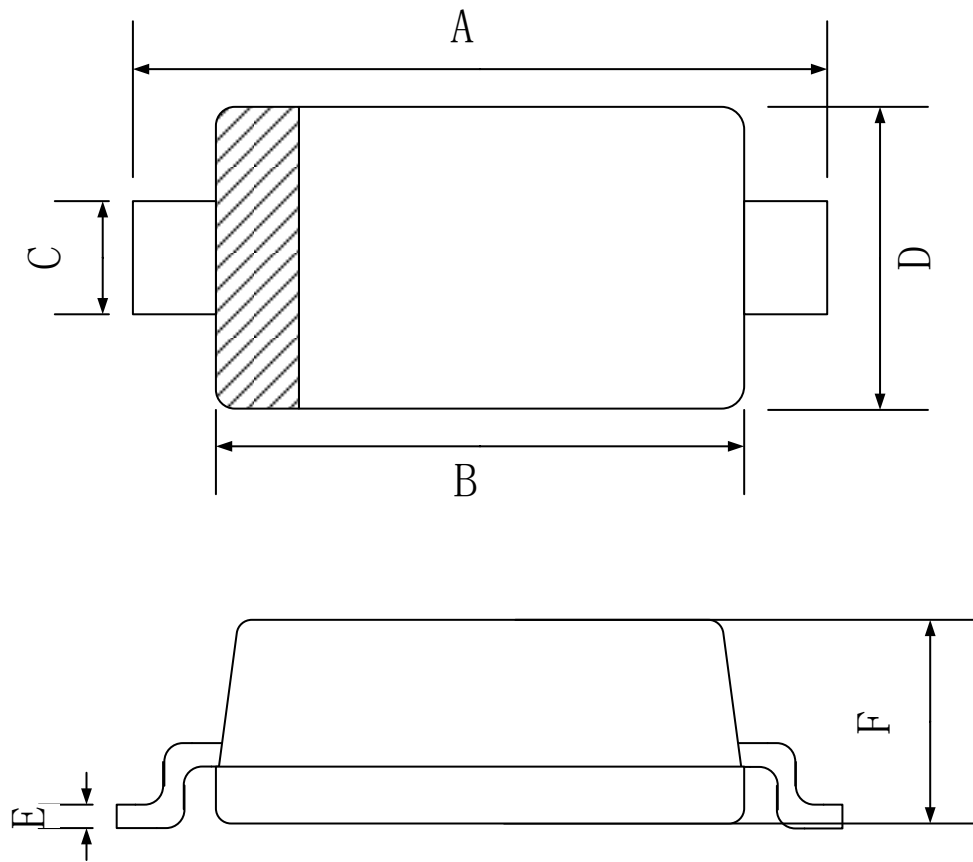


Capacitance Characteristics



Power Derating Curve

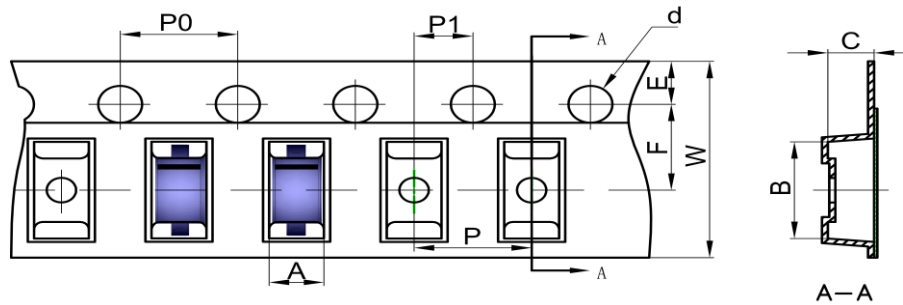


SOD-123 Package Outline Dimensions


Symbol	Dimensions In Millimeters		
	Min.	Typ.	Max.
A	3.45	3.65	3.85
B	2.55	2.65	2.75
C	0.45	0.55	0.65
D	1.50	1.60	1.70
E	0.09	0.105	0.12
F	0.95	1.15	1.35

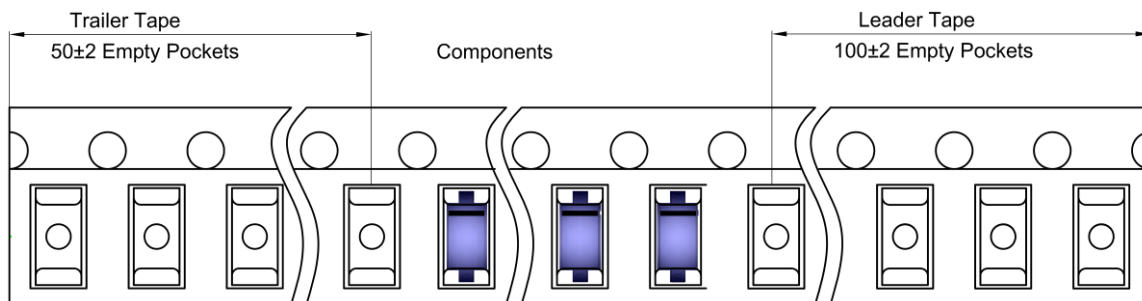
SOD-123 Tape and Reel

SOD-123 Embossed Carrier Tape

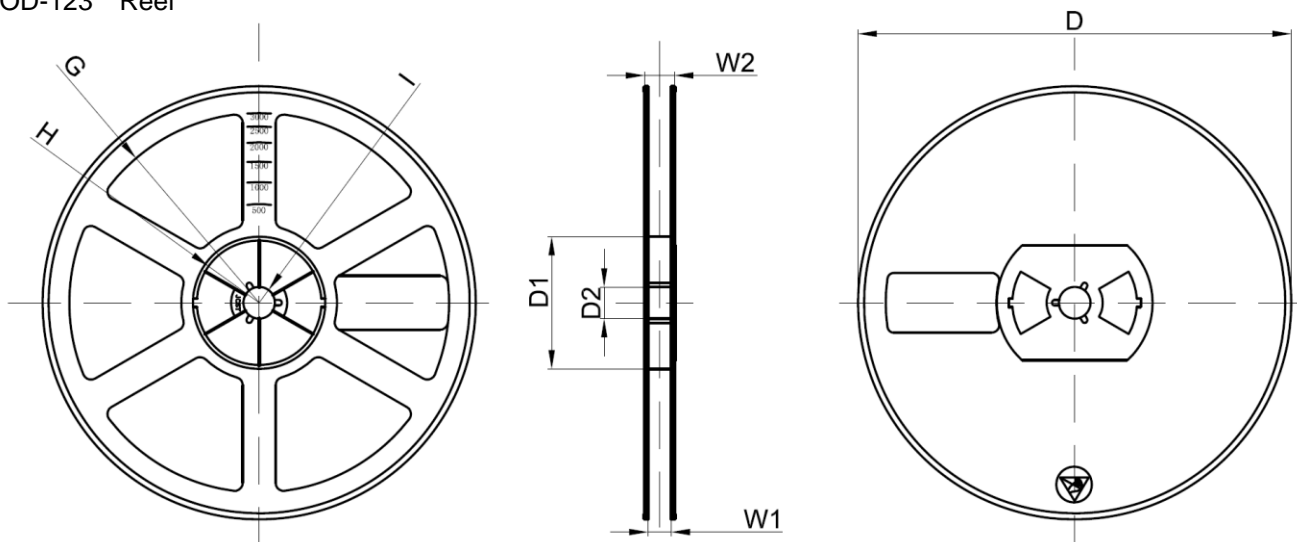


Dimensions are in millimeter										
Pkg type	A	B	C	d	E	F	P0	P	P1	W
SOD-123	1.85	3.95	1.57	Φ1.55	1.75	3.50	4.00	4.00	2.00	8.00

SOD-123 Tape Leader and Trailer



SOD-123 Reel



Dimensions are in millimeter								
Reel Option	D	D1	D2	G	H	I	W1	W2
7` Dia	Φ178.00	54.40	13.00	R78.00	R25.60	R6.50	9.50	12.30

Reel	Reel Size	Box	Box Size(mm)	Carton	Carton Size(mm)	G.W.(kg)
3000pcs	7 inch	45,000pcs	203×203×195	180,000pcs	438×438×220	