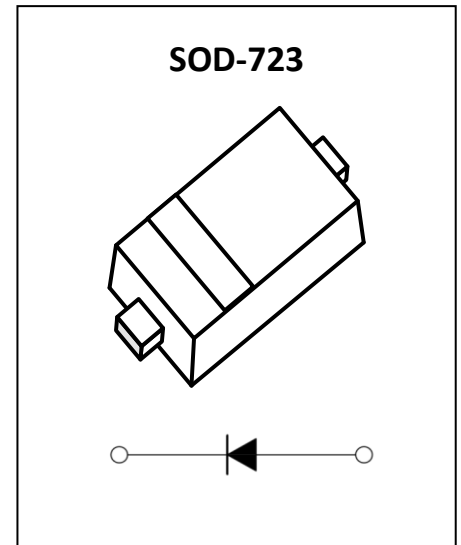


**RB520G-30 Schottky Barrier Diode**
**Feature**

- Small surface mounting type
- Low reverse current and low forward voltage
- High Reliability

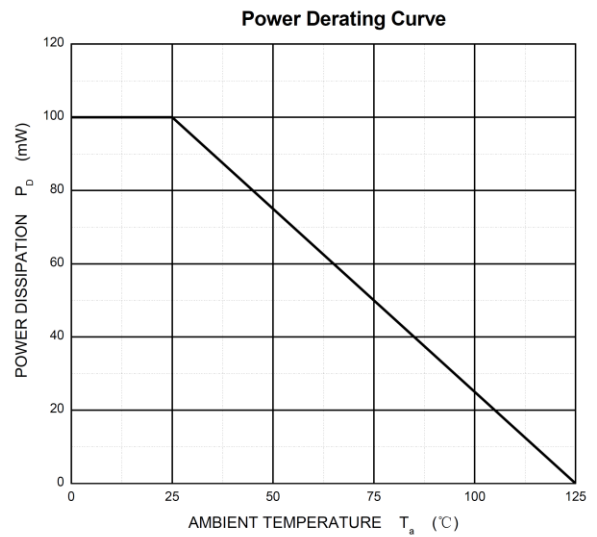
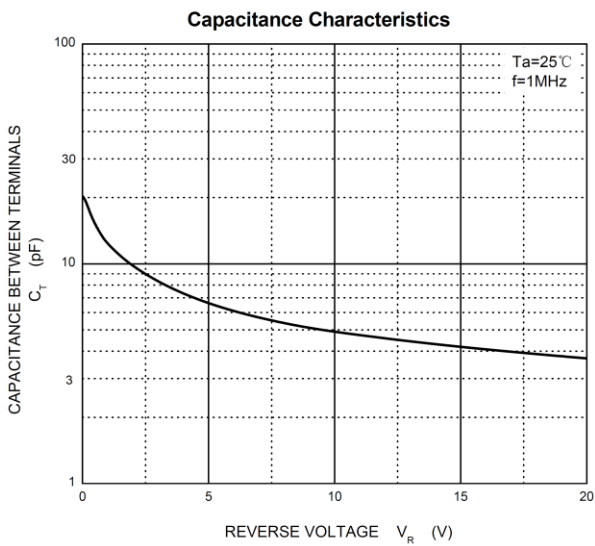
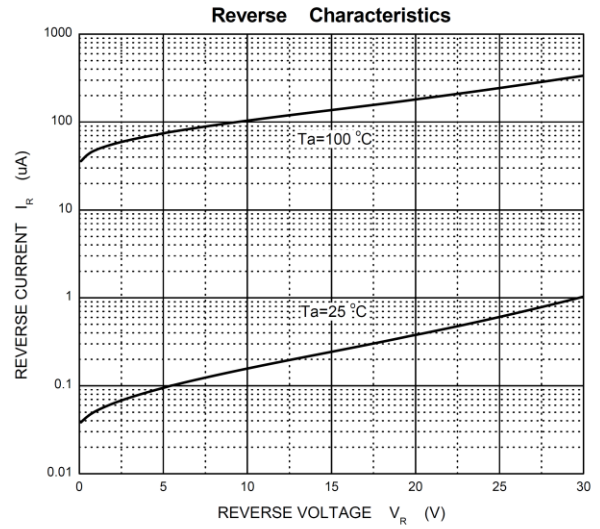
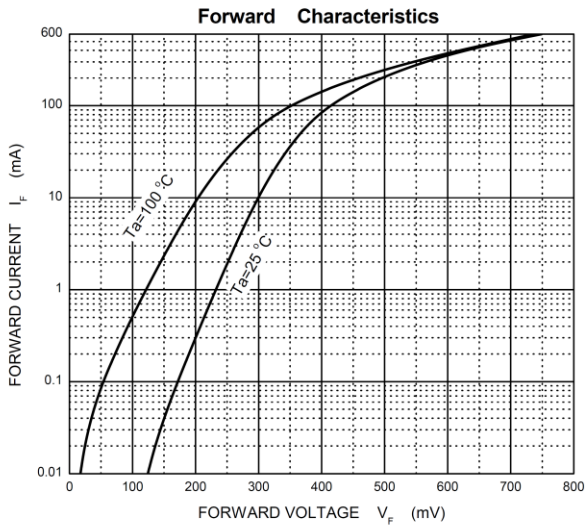
**MARKING:**

**ABSOLUTE MAXIMUM RATINGS (T<sub>a</sub>=25°C unless otherwise noted)**

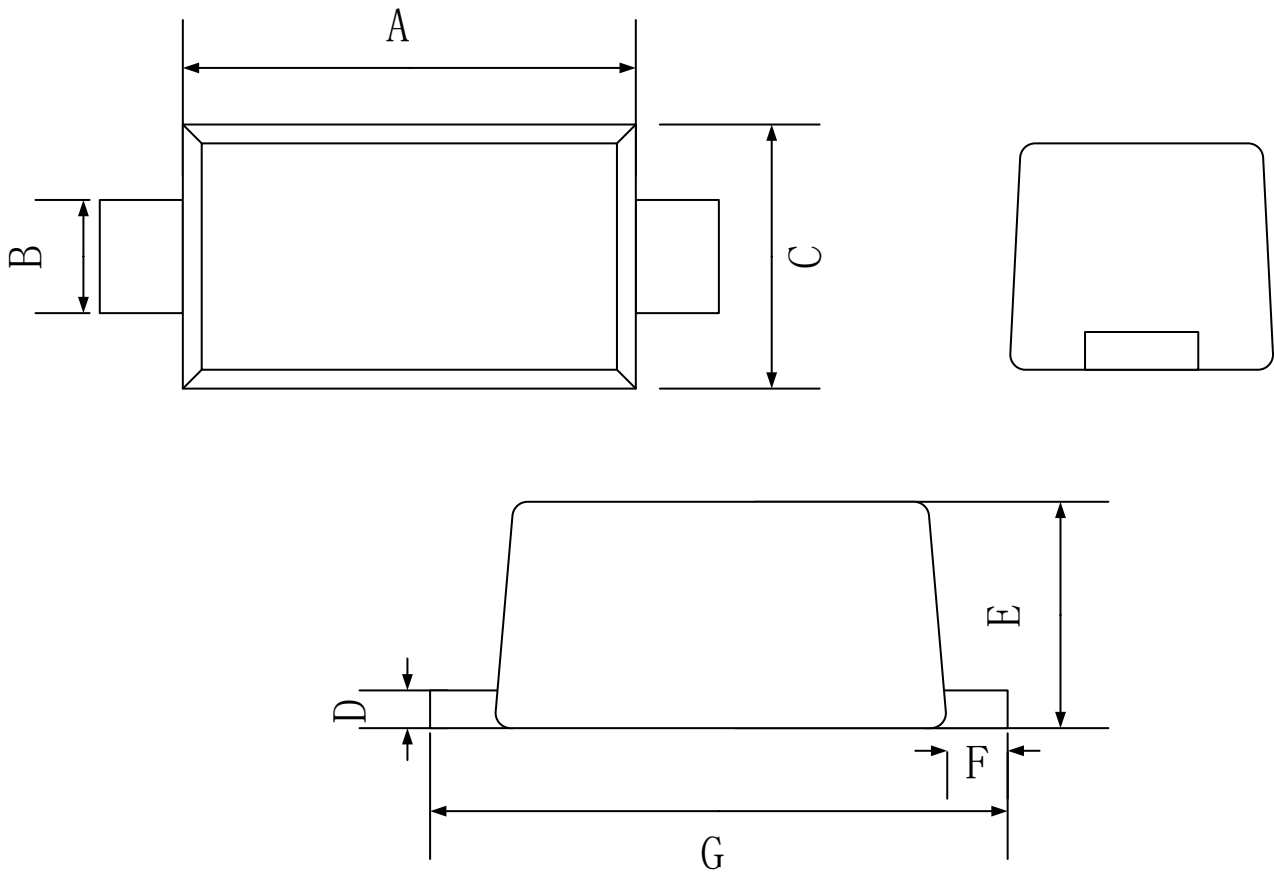
Parameter	Symbol	Value	Unit
DC reverse voltage	V <sub>R</sub>	30	V
Mean rectifying current	I <sub>o</sub>	0.2	A
Non-repetitive Peak Forward Surge Current @ t=8.3ms	I <sub>FSM</sub>	0.5	A
Power Dissipation	P <sub>D</sub>	0.1	W
Thermal Resistance from Junction to Ambient	R <sub>θJA</sub>	1000	°C/W
Junction Temperature	T <sub>J</sub>	125	°C
Storage Temperature Range	T <sub>STG</sub>	-55 ~ +150	°C

**ELECTRICAL CHARACTERISTICS (T<sub>a</sub>=25°C unless otherwise noted)**

Parameter	Symbol	Test Condition	Min	Type	Max	Unit
Reverse voltage	V <sub>BR</sub>	I <sub>R</sub> = 100μA	30			V
Forward voltage	V <sub>F</sub>	I <sub>F</sub> = 10mA			0.45	V
		I <sub>F</sub> = 200mA			0.6	V
Reverse current	I <sub>R</sub>	V <sub>R</sub> = 10V			1	μA

**Typical Characteristics**



**SOD-723 Package Outline Dimensions**


Symbol	Dimensions In Millimeters		
	Min.	Typ.	Max.
A	0.90	1.00	1.10
B	0.23	0.28	0.32
C	0.50	0.60	0.70
D	0.05	0.10	0.15
E	0.47	0.52	0.57
F	0.15	0.20	0.25
G	1.30	1.40	1.50