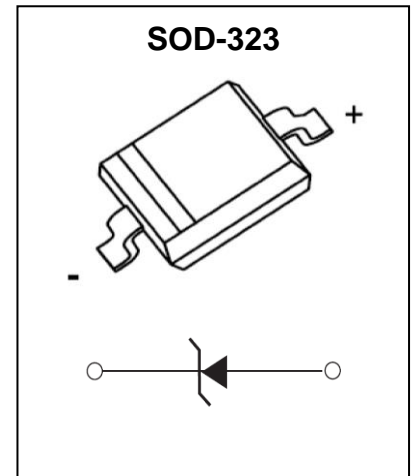




BZT52B2V4S-BZT52B75S ZENER DIODE

Feature

- Planar Die Construction
- General Purpose, Medium Current
- Ideally Suited for Automated Assembly Processes
- Available in Lead Free Version



ABSOLUTE MAXIMUM RATINGS ($T_a=25^{\circ}\text{C}$ unless otherwise noted)

Parameter	Symbol	Value	Unit
Power Dissipation (Note1)	P_D	0.2	W
Junction Temperature	T_J	150	$^{\circ}\text{C}$
Storage Temperature	T_{STG}	-55 ~ +150	$^{\circ}\text{C}$

ELECTRICAL CHARACTERISTICS ($T_a=25^{\circ}\text{C}$ unless otherwise noted)

Type Number	Device Marking	V_Z (V) *1			I_{ZT} mA	$Z_{ZT}@I_{ZT}$ Ω	$Z_{ZK}@I_{ZK}$ Ω	I_{zk} (mA)	I_R (μA)	V_R (V)
		Nom(V)	Min(V)	Max(V)						
BZT52B2V4S	2WX	2.4	2.35	2.45	5	100	600	1.0	50	1.0
BZT52B2V7S	2W1	2.7	2.65	2.75	5	100	600	1.0	20	1.0
BZT52B3V0S	2W2	3.0	2.94	3.06	5	95	600	1.0	10	1.0
BZT52B3V3S	2W3	3.3	3.23	3.37	5	95	600	1.0	5	1.0
BZT52B3V6S	2W4	3.6	3.53	3.67	5	90	600	1.0	5	1.0
BZT52B3V9S	2W5	3.9	3.82	3.98	5	90	600	1.0	3	1.0
BZT52B4V3S	2W6	4.3	4.21	4.39	5	90	600	1.0	3	1.0
BZT52B4V7S	2W7	4.7	4.61	4.79	5	80	500	1.0	3	2.0
BZT52B5V1S	2W8	5.1	5.00	5.20	5	60	480	1.0	2	2.0
BZT52B5V6S	2W9	5.6	5.49	5.71	5	40	400	1.0	1	2.0
BZT52B6V2S	2WA	6.2	6.08	6.32	5	10	150	1.0	3	4.0

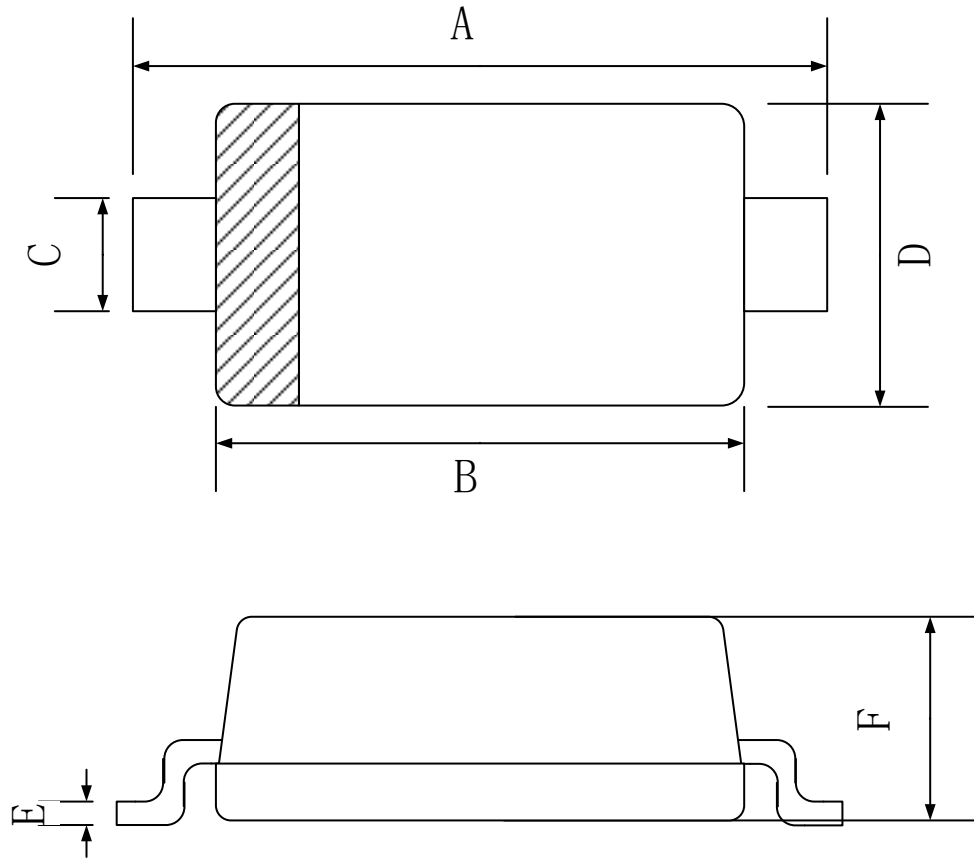
Continued next page

ELECTRICAL CHARACTERISTICS (T_a=25°C unless otherwise noted)

Type Number	Device Marking	V _z (V) *1			I _{ZT}	Z _{ZT} @I _{ZT}	Z _{ZK} @I _{ZK}	I _{zk} (mA)	I _R (μA)	V _R (V)
		Nom(V)	Min(V)	Max(V)	mA	Ω				
BZT52B6V8S	2WB	6.8	6.66	6.94	5	15	80	1.0	2	4.0
BZT52B7V5S	2WC	7.5	7.35	7.65	5	15	80	1.0	1	5.0
BZT52B8V2S	2WD	8.2	8.04	8.36	5	15	80	1.0	0.7	5.0
BZT52B9V1S	2WE	9.1	8.92	9.28	5	15	100	1.0	0.5	6.0
BZT52B10S	2WF	10	9.80	10.20	5	20	150	1.0	0.2	7.0
BZT52B11S	2WG	11	10.78	11.22	5	20	150	1.0	0.1	8.0
BZT52B12S	2WH	12	11.76	12.24	5	25	150	1.0	0.1	8.0
BZT52B13S	2WI	13	12.74	13.26	5	30	170	1.0	0.1	8.0
BZT52B14S	2WY	14	13.72	14.28	5	25	110	1.0	0.1	10.5
BZT52B15S	2WJ	15	14.70	15.30	5	30	200	1.0	0.1	10.5
BZT52B16S	2WK	16	15.68	16.32	5	40	200	1.0	0.1	11.2
BZT52B18S	2WL	18	17.64	18.36	5	45	225	1.0	0.1	12.6
BZT52B20S	2WM	20	19.60	20.40	5	55	225	1.0	0.1	14.0
BZT52B22S	2WN	22	21.56	22.44	5	55	250	1.0	0.1	15.4
BZT52B24S	2WO	24	23.52	24.48	5	70	250	1.0	0.1	16.8
BZT52B27S	2WP	27	26.46	27.54	2	80	300	0.5	0.1	18.9
BZT52B30S	2WQ	30	29.40	30.60	2	80	300	0.5	0.1	21.0
BZT52B33S	2WR	33	32.34	33.66	2	80	325	0.5	0.1	23.1
BZT52B36S	2WS	36	35.28	36.72	2	90	350	0.5	0.1	25.2
BZT52B39S	2WT	39	38.22	39.78	2	130	350	0.5	0.1	27.3
BZT52B43S	2WU	43	42.14	43.86	2	130	350	0.5	0.1	29.4
BZT52B47S	2WV	47	45.83	48.17	2	170	1000	0.25	0.1	36
BZT52B51S	2X1	51	49.73	52.27	2	180	1300	0.25	0.1	39
BZT52B56S	2X2	56	54.60	57.40	2	200	1400	0.25	0.1	43
BZT52B62S	2X3	62	60.45	63.55	2	225	1400	0.25	0.1	47
BZT52B68S	2X4	68	66.30	69.70	2	240	1600	0.25	0.1	52
BZT52B75S	2X5	75	73.13	76.87	2	265	1700	0.25	0.1	56

*1 Pulse width = 10 ms

SOD-323 Package Outline Dimensions



Symbol	Dimensions In Millimeters		
	Min.	Typ.	Max.
A	2.30	2.50	2.70
B	1.60	1.70	1.90
C	0.25	0.325	0.40
D	1.15	1.25	1.35
E	0.089	0.095	0.101
F	0.80	0.90	1.00