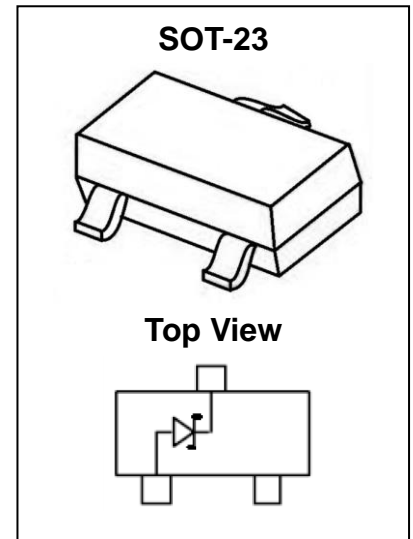




#### BZX84C2V4-BZX84C62 ZENER DIODE

#### Feature

- Planar Die Construction
- Zener Voltages from 2.4V-62V
- RoHS compliant / Green EMC



#### ABSOLUTE MAXIMUM RATINGS (T<sub>a</sub>=25°C unless otherwise noted)

| Parameter                 | Symbol           | Value      | Unit |
|---------------------------|------------------|------------|------|
| Forward Voltage @IF=10mA  | V <sub>F</sub>   | 0.9        | V    |
| Power Dissipation (Note1) | P <sub>D</sub>   | 0.35       | W    |
| Junction Temperature      | T <sub>J</sub>   | 150        | °C   |
| Storage Temperature       | T <sub>STG</sub> | -55 ~ +150 | °C   |

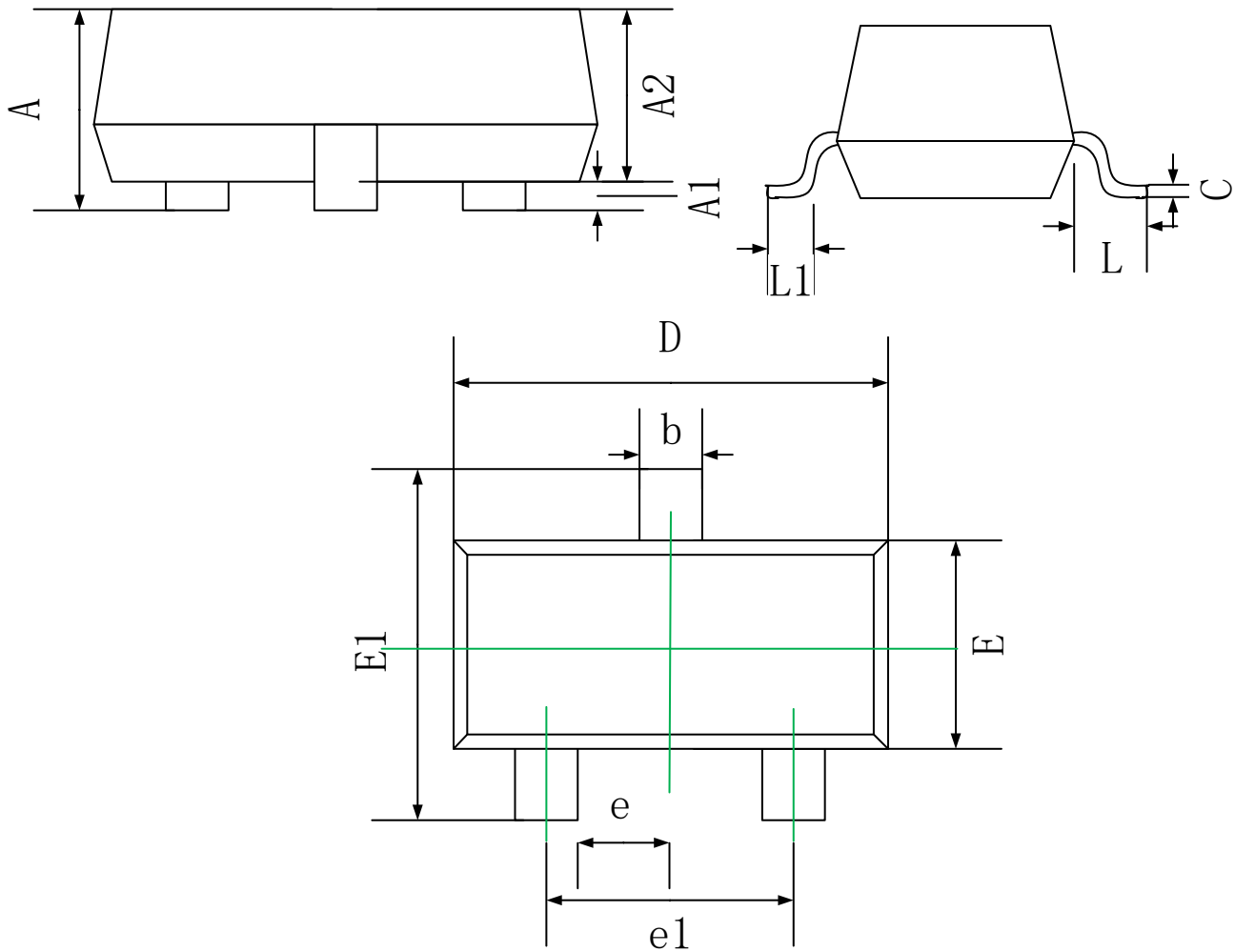
#### ELECTRICAL CHARACTERISTICS (T<sub>a</sub>=25°C unless otherwise noted)

| Part Number | Marking | Nominal Zener Voltage |      |      | Max. Zener Impedance              |    |                                   |    | Max.Reverse Leakage Current |     |
|-------------|---------|-----------------------|------|------|-----------------------------------|----|-----------------------------------|----|-----------------------------|-----|
|             |         |                       |      |      | Z <sub>ZT</sub> @ I <sub>ZT</sub> |    | Z <sub>ZK</sub> @ I <sub>ZK</sub> |    |                             |     |
|             |         | Nom.                  | Min. | Max. | Ohm                               | mA | Ohm                               | mA | μA                          | V   |
| BZX84C2V4   | W1/Z11  | 2.4                   | 2.28 | 2.52 | 100                               | 5  | 600                               | 1  | 50                          | 1.0 |
| BZX84C2V7   | W2/Z12  | 2.7                   | 2.5  | 2.9  | 100                               | 5  | 600                               | 1  | 20                          | 1.0 |
| BZX84C3V0   | W3/Z13  | 3                     | 2.8  | 3.2  | 95                                | 5  | 600                               | 1  | 10                          | 1.0 |
| BZX84C3V3   | W4/Z14  | 3.3                   | 3.1  | 3.5  | 95                                | 5  | 600                               | 1  | 5                           | 1.0 |
| BZX84C3V6   | W5/Z15  | 3.6                   | 3.4  | 3.8  | 90                                | 5  | 600                               | 1  | 5                           | 1.0 |
| BZX84C3V9   | W6/Z16  | 3.9                   | 3.7  | 4.1  | 90                                | 5  | 600                               | 1  | 3                           | 1.0 |
| BZX84C4V3   | W7/Z17  | 4.3                   | 4    | 4.6  | 90                                | 5  | 600                               | 1  | 3                           | 1.0 |

## ELECTRICAL CHARACTERISTICS (T<sub>a</sub>=25°C unless otherwise noted)

|           |         |     |       |       |     |   |     |     |      |       |
|-----------|---------|-----|-------|-------|-----|---|-----|-----|------|-------|
| BZX84C4V7 | W8/Z1   | 4.7 | 4.4   | 5     | 80  | 5 | 500 | 1   | 3    | 2.0   |
| BZX84C5V1 | W9/Z2   | 5.1 | 4.8   | 5.4   | 60  | 5 | 480 | 1   | 2    | 2.0   |
| BZX84C5V6 | WA/Z3   | 5.6 | 5.2   | 6     | 40  | 5 | 400 | 1   | 1    | 2.0   |
| BZX84C6V2 | WB/Z4   | 6.2 | 5.8   | 6.6   | 10  | 5 | 150 | 1   | 3    | 4.0   |
| BZX84C6V8 | WC/Z5   | 6.8 | 6.4   | 7.2   | 15  | 5 | 80  | 1   | 2    | 4.0   |
| BZX84C7V5 | WD/Z6   | 7.5 | 7     | 7.9   | 15  | 5 | 80  | 1   | 1    | 5.0   |
| BZX84C8V2 | WE/Z7   | 8.2 | 7.7   | 8.7   | 15  | 5 | 80  | 1   | 0.7  | 5.0   |
| BZX84C9V1 | WF/Z8   | 9.1 | 8.5   | 9.6   | 15  | 5 | 100 | 1   | 0.5  | 6.0   |
| BZX84C10  | WG/Z9   | 10  | 9.4   | 10.6  | 20  | 5 | 150 | 1   | 0.2  | 7.0   |
| BZX84C11  | WH/Y1   | 11  | 10.4  | 11.6  | 20  | 5 | 150 | 1   | 0.1  | 8.0   |
| BZX84C12  | WI/Y2   | 12  | 11.4  | 12.7  | 25  | 5 | 150 | 1   | 0.1  | 8.0   |
| BZX84C13  | WK/Y3   | 13  | 12.4  | 14.1  | 30  | 5 | 170 | 1   | 0.1  | 8.0   |
| BZX84C15  | WL/Y4   | 15  | 13.8  | 15.6  | 30  | 5 | 200 | 1   | 0.1  | 10.5  |
| BZX84C16  | WM /Y5  | 16  | 15.3  | 17.1  | 40  | 5 | 200 | 1   | 0.1  | 11.2  |
| BZX84C18  | WN/Y6   | 18  | 16.8  | 19.1  | 45  | 5 | 225 | 1   | 0.1  | 12.6  |
| BZX84C20  | WO/Y7   | 20  | 18.8  | 21.2  | 55  | 5 | 225 | 1   | 0.1  | 14.0  |
| BZX84C22  | WP/Y8   | 22  | 20.8  | 23.3  | 55  | 5 | 250 | 1   | 0.1  | 15.4  |
| BZX84C24  | WR/Y9   | 24  | 22.8  | 25.6  | 70  | 5 | 250 | 1   | 0.1  | 16.8  |
| BZX84C27  | WS/Y10  | 27  | 25.1  | 28.9  | 80  | 2 | 300 | 1   | 0.1  | 18.9  |
| BZX84C30  | WT /Y11 | 30  | 28    | 32    | 80  | 2 | 300 | 1   | 0.1  | 21.0  |
| BZX84C33  | WU/Y12  | 33  | 31    | 35    | 80  | 2 | 325 | 1   | 0.1  | 23.1  |
| BZX84C36  | WW/Y13  | 36  | 34    | 38    | 90  | 2 | 350 | 1   | 0.1  | 25.2  |
| BZX84C39  | WX/Y14  | 39  | 37    | 41    | 130 | 2 | 350 | 1   | 0.1  | 27.3  |
| BZX84C43  | WY/Y15  | 43  | 40.85 | 45.15 | 150 | 5 | 375 | 1   | 0.1  | 30.10 |
| BZX84C47  | WZ/Y16  | 47  | 44.65 | 49.35 | 170 | 5 | 375 | 1   | 0.1  | 32.90 |
| BZX84C51  | XA/Y17  | 51  | 48.45 | 53.55 | 100 | 5 | 400 | 1   | 0.1  | 35.70 |
| BZX84C62  | Y19     | 62  | 58.0  | 66.0  | 215 | 2 | 450 | 0.5 | 0.05 | 43.40 |

## SOT-23 Package Outline Dimensions



| Symbol | Dimensions In Millimeters |      |
|--------|---------------------------|------|
|        | Min.                      | Max. |
| A      | 0.90                      | 1.15 |
| A1     | 0.00                      | 0.10 |
| A2     | 0.90                      | 1.05 |
| b      | 0.30                      | 0.50 |
| c      | 0.08                      | 0.15 |
| D      | 2.80                      | 3.00 |
| E      | 1.20                      | 1.40 |
| E1     | 2.25                      | 2.55 |
| e      | 0.95 REF.                 |      |
| e1     | 1.80                      | 2.00 |
| L      | 0.55 REF.                 |      |
| L1     | 0.30                      | 0.50 |