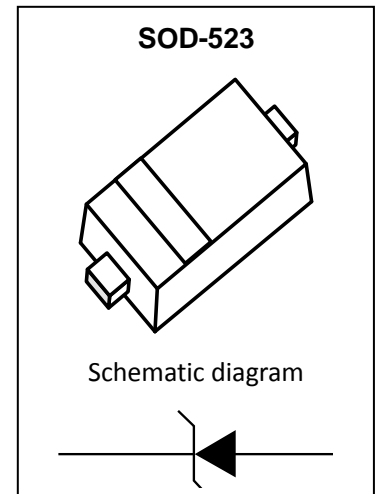


Product Summary

The GESDN24VD51 is Designed to protect voltage sensitive electronic components from ESD and other transients. Excellent clamping capability, low leakage, and fast response time provide best in class protection on designs that are exposed to ESD.

The combination of small size, high level of ESD protection makes them a flexible solution for applications such as Digital cameras ,cellular phones, and MP3 Players. It is designed to replace multiplayer varistors (MLV) in consumer equipments applications such as mobile phone, notebook, PAD, STB, LCD TV etc.



Feature

- Low reverse stand-off voltage:24V
- Low reverse clamping voltage
- Low leakage current
- Fast response time
- JESD22-A114-B ESD Rating of class 3B per human body model
- IEC 61000-4-2 Level 4 ESD protection

Application

- Computers and peripherals
- Portable electronics
- Power lines
- Audio and video equipment
- Cellular handsets and accessories
- Other electronic equipment communication systems

Marking:



Front Side

ZY =Device Code

Absolute Maximum Ratings ($T_a=25^{\circ}\text{C}$ unless otherwise noted)

| Parameter | Symbol | Value | Unit |
|--|-----------------------|-----------|--------------------|
| IEC 61000-4-2 ESD Voltage | $V_{\text{ESD}}^{1)}$ | ± 25 | kV |
| IEC 61000-4-2 ESD Voltage | | ± 25 | |
| JESD22-A114-B ESD Voltage | | ± 16 | |
| ESD Voltage | | ± 0.4 | |
| Peak Pulse Power | $P_{\text{PP}}^{2)}$ | 275 | W |
| Peak Pulse Current | $I_{\text{PP}}^{2)}$ | 5 | A |
| Lead Solder Temperature – Maximum (10 Second Duration) | T_L | 260 | $^{\circ}\text{C}$ |
| Junction Temperature | T_j | 150 | $^{\circ}\text{C}$ |
| Storage Temperature | T_{stg} | -55~ +150 | $^{\circ}\text{C}$ |

- 1) Device stressed with ten non-repetitive ESD pulses.
- 2) Non-repetitive current pulse 8/20 μs exponential decay waveform according to IEC61000-4-5.

ESD standards compliance

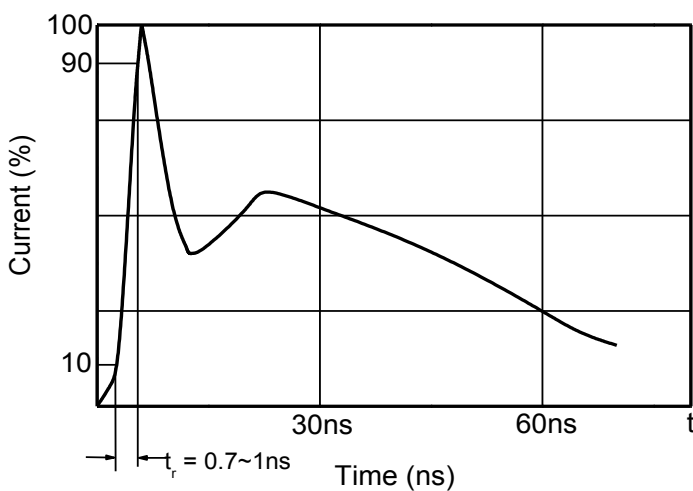
IEC61000-4-2 Standard

| Contact Discharge | | Air Discharge | |
|-------------------|-----------------|---------------|-----------------|
| Level | Test Voltage kV | Level | Test Voltage kV |
| 1 | 2 | 1 | 2 |
| 2 | 4 | 2 | 4 |
| 3 | 6 | 3 | 8 |
| 4 | 8 | 4 | 15 |

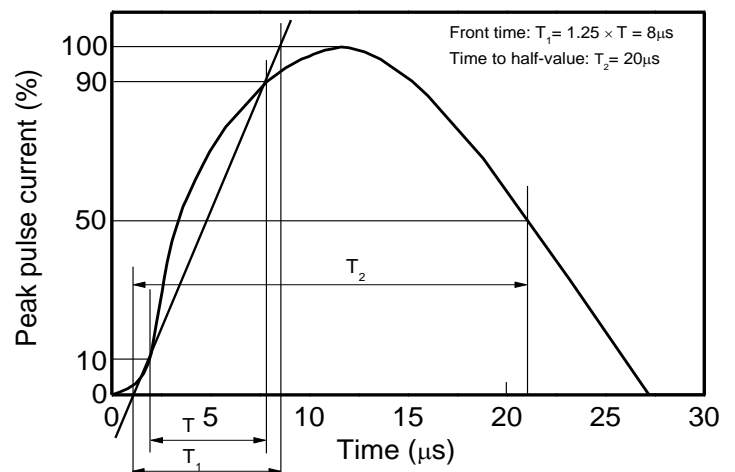
JESD22-A114-B Standard

| ESD Class | Human Body Discharge V |
|-----------|------------------------|
| 0 | 0~249 |
| 1A | 250~499 |
| 1B | 500~999 |
| 1C | 1000~1999 |
| 2 | 2000~3999 |
| 3A | 4000~7999 |
| 3B | 8000~15999 |

Contact discharge current waveform per IEC61000-4-2

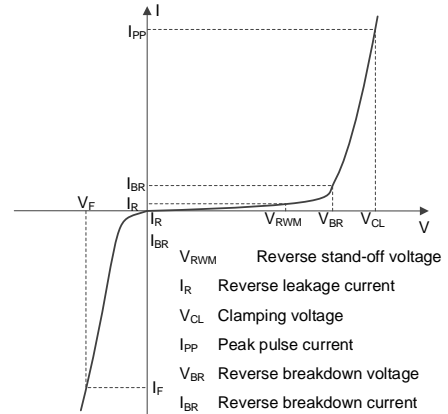


8/20 μs waveform per IEC61000-4-5



Electrical Parameter

| Symbol | Parameter |
|------------------|--|
| V _C | Clamping Voltage @ I _{PP} |
| I _{PP} | Peak Pulse Current |
| V _{BR} | Breakdown Voltage @ I _T |
| I _T | Test Current |
| I _R | Reverse Leakage Current @ V _{RWM} |
| V _{RWM} | Reverse Standoff Voltage |



V-I characteristics for a Uni-directional TVS

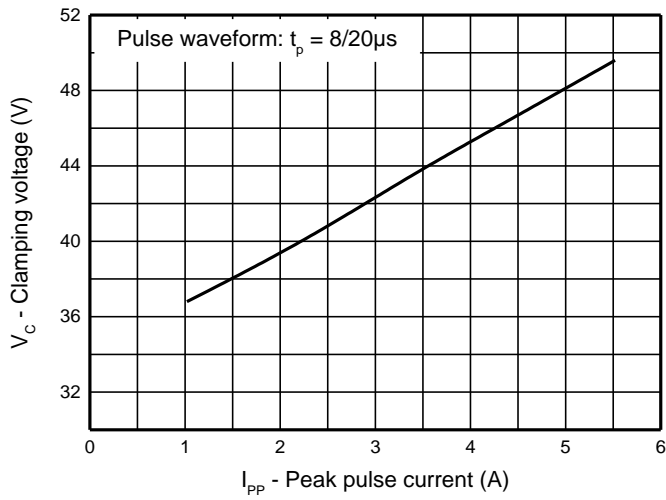
Electrical Characteristics (Ta=25°C unless otherwise specified)

| Parameter | Symbol | Test conditions | Min | Typ | Max | Unit |
|---------------------------|--------------------------------|----------------------------|------|-----|-----|------|
| Reverse stand-off voltage | V _{RWM} ¹⁾ | | | | 24 | V |
| Reverse leakage current | I _R | V _{RWM} =24V | | | 1 | uA |
| Forward Voltage | V _F | I _F =10mA | | | 1.0 | V |
| Breakdown voltage | V _{BR} | I _T =1mA | 26.8 | | 31 | V |
| Clamping voltage | V _C ²⁾ | I _{PP} =1A | | 37 | 42 | V |
| | | I _{PP} =5A | | 48 | 55 | V |
| Junction capacitance | C _J | V _R =0V, f=1MHz | | 38 | | pF |

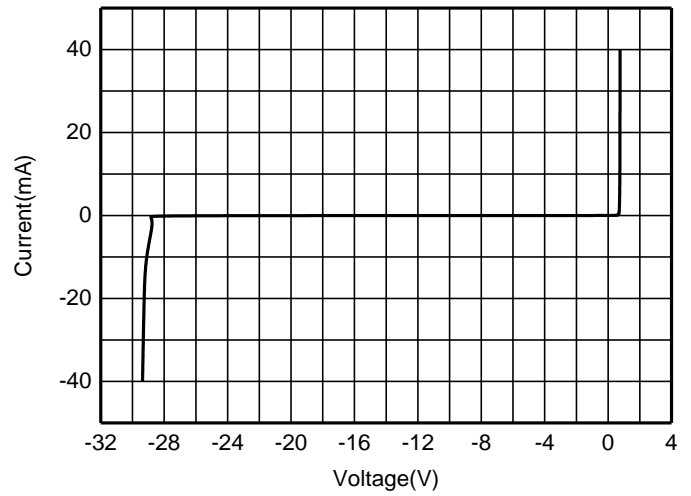
- 1) Other voltages available upon request.
- 2) Non-repetitive current pulse 8/20μs exponential decay waveform according to IEC61000-4-5

Typical Characteristics

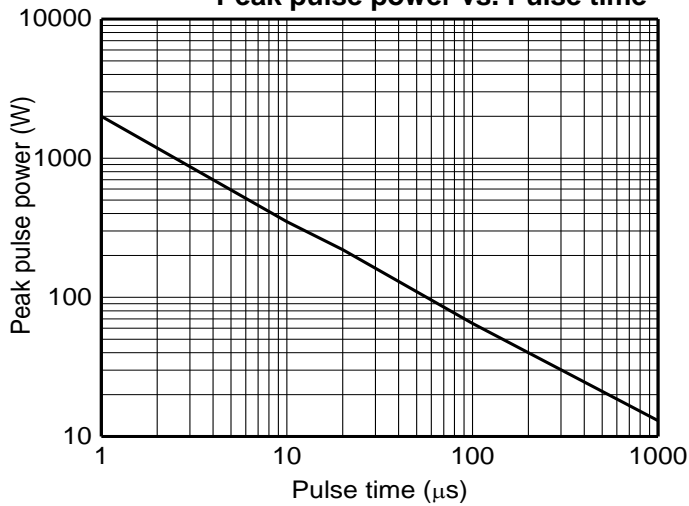
V_C vs. I_{PP}



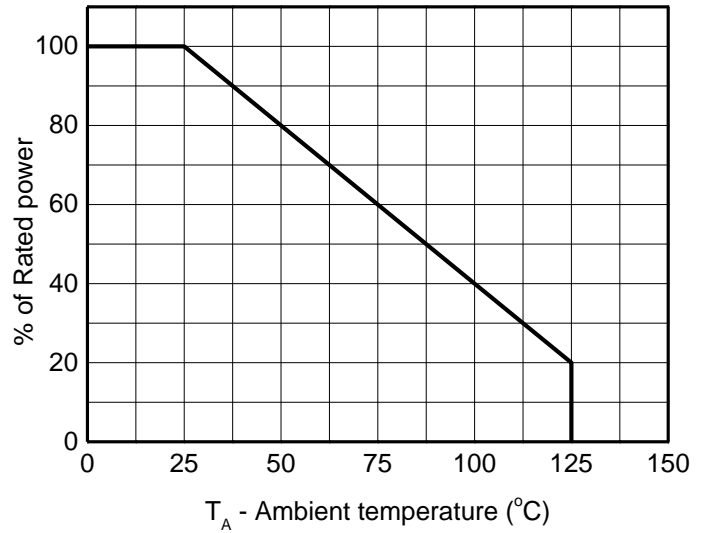
I-V Curve

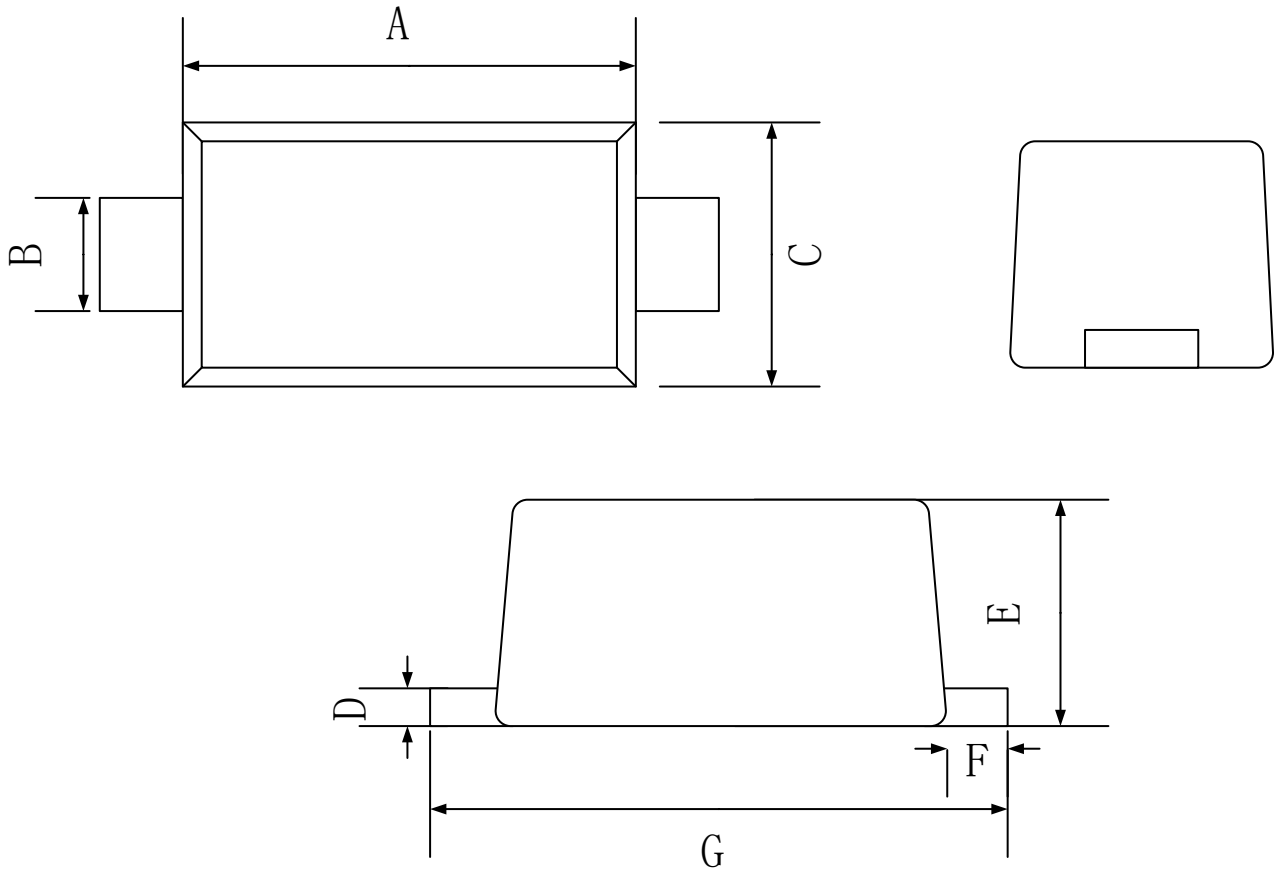


Peak pulse power vs. Pulse time



Power derating vs. Ambient temperature



SOD-523 Package Outline Dimensions


| Symbol | Dimensions In Millimeters | | |
|--------|---------------------------|------|------|
| | Min. | Typ. | Max. |
| A | 1.10 | 1.20 | 1.30 |
| B | 0.25 | 0.30 | 0.35 |
| C | 0.75 | 0.80 | 0.85 |
| D | 0.08 | 0.10 | 0.15 |
| E | 0.45 | 0.65 | 0.70 |
| F | 0.20 REF | | |
| G | 1.50 | 1.60 | 1.70 |